

Product  
Catalogue



*American  
Standard*



# CONTENTS

## Introduction

Raising The Standard  
Our Milestones  
Our Brand Pillars  
Design Values  
Signature Elements  
Our Awards  
Key Technologies  
New Products

## Products Categories

28	Toilets
36	Spalet
38	Wash Basins
52	Basin Faucets
54	Bath & Showers
60	Bathtubs
66	Signature
	- Basin Faucets
	- Bath & Showers
72	Acacia Evolution
	- Basin Faucets
	- Bath & Showers
	- Accessories
84	Neo Modern
	- Basin Faucets
	- Bath & Showers
90	Milano
	- Basin Faucets
	- Bath & Showers
96	Compact Nuovo
	- Basin Faucets
	- Bath & Showers
	- Accessories
112	Compact Codie
	- Basin Faucets
	- Bath & Showers
118	Winston
	- Basin Faucets
	- Bath & Showers
123	EasyFLO
	- Basin Mono
	- Shower Mono
128	Project References

# RAISING THE STANDARD



Every day our goal is to find more ways to improve life in and around the bathroom and kitchen, sometimes in obvious ways, other times in more subtle ways. We examine everything and are willing to challenge everything. No matter how good our products are today, we know we can always be better tomorrow.

Not just “our standard,” but “the standard” for living healthily, responsibly and beautifully everywhere. It’s “the standard” we’ve set and reset since 1875. It is “the standard” that is reflected in every product we make and represented in our highest ambition and deepest commitment to our employees, partners, trade professionals and customers worldwide.

**At American Standard, we endeavor to raise the standard of living by delivering bathroom solutions that are beautiful, purposeful and safe for everyone.**

# OUR JOURNEY TOWARDS RAISING THE STANDARD



**1872**

American Standard's passion for plumbing began when John B. Pierce purchased a struggling tinware shop in Massachusetts.



**1880**

**Modern Bathroom Was Born**

Standard Manufacturing Co. perfected a process to coat pulverized enamel onto a hot steel casting to form a smooth, sanitary, easy-to-clean surface.



**1926**

**Bringing Bold Looks Home**

Changed the face of America's homes by bringing colors to bathrooms and kitchens.

**AMERICAN  
RADIATOR  
&  
Standard  
Sanitary  
CORPORATION**

**1929**

**Mega Merger formed One-Stop Shop**

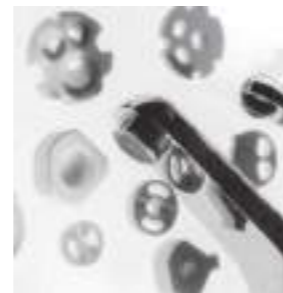
Two industry leaders merged and formed the foundation of today's American Standard.



**1950**

**Postwar Boom**

With millions of war veterans returning home from WWII, a new suburbia was born, and with it the American Standard's innovations soared, allowing the company to set new standards of safety, comfort & beauty for a growing population.



**1980s-1990s**

**New Product Development Breakthroughs**

Economic prosperity led to several new product developments - long-lasting leak-free ceramic disc valves, labor-saving, lightweight Americast® tubs and sinks, and Sensorium, the first tub with electronics that controlled in-home appliances.



**1990s-2000s**

**American Standard Brands**

Mergers and acquisitions expanded American Standard's product depth and reach.



**2013**

**Fresh Ideas for a New Generation**

In 2013, American Standard joined the LIXIL Group Corporation. Headquartered in Japan, LIXIL is a global leader in the building materials and housing industry and owns some of the most trusted brands in our industry including GROHE, INAX and DXV.

REALIZING OUR  
PROMISE THROUGH  
OUR BRAND PILLARS



Our continuing quest to raise the standard of living in and around the bathroom has been made possible through our 4 key guiding principles.



## INVITING STYLE

We believe every function deserves a well-designed form. Our products offer style that is personal, approachable and satisfying. It's style that fits perfectly into your life.



## PURPOSEFUL FUNCTION

Our products are designed to make life healthier, safer, easier and more beautiful, while contributing to the efficient use of water and the sustainable development of society.



## SUPERIOR PERFORMANCE

For the past 140 years, American Standard has set and reset the standard for products that work and wow. We build worry-free performance into every product we make.



## BUILT TO LAST

From the materials we use to the care we put into building them, our products are made to stand the test of time. It's quality you can depend on today and be confident in for a lifetime.

# DESIGN VALUES



Our product collections have been thoughtfully created to reflect our core design values that not only offer style that is personal, approachable and satisfying but also make life healthier, safer, easier and more beautiful, to perfectly fit the discerning needs of Asian consumers.

# DESIGN VALUES

## INVITING



Our product collections have been thoughtfully created to reflect our core design values that not only offer style that is personal, approachable and satisfying but also make life healthier, safer, easier and more beautiful, to perfectly fit the discerning needs of Asian consumers.

## DEPENDABLE



Since the 1870s, American Standard has been bridging aesthetics with functionality to deliver dependable consumer-centric designs that are built to last.

## PIONEERING



We keep the pioneering spirit alive in our product designs by integrating technological and sustainable features to produce award-winning designs.

# SIGNATURE ELEMENTS

## PILLOW



INVITING



On the contour or on a main surface, the pillow is mainly used to provide a soft and welcoming look and feel to the product which invites user interaction.

## LINE



DEPENDABLE



The line is a flexible element which is often used as a detail on products to highlight functionality, increase comfort and provide a more sophisticated appearance.

## FRAME



PIONEERING



Used vertically or horizontally the frame format has been forever used to shape the consumer electronics and is now embedded in our psyche as a symbol of innovation.

# OUR AWARDS



Any form of recognition is always appreciated and tells us that we are doing things the right way but more importantly, it drives us to go further and beyond to improve our offerings to enhance daily living in and around the bathroom and kitchen.

## Our Awards

Genie Handshower



Signature™ Fittings



Acacia SupaSleek™ Square Wall-Hung



City Toilet Wall-Hung



Slim Smart Washer 3



PLAT Natural



EasySet Concealed



EasySet Exposed



EasyFLO



City Best Vanity Set



SpaceMaster



Neo Modern L-Bend Mixer



# KEY TECHNOLOGIES



Everything we do stem from our desire to deliver real everyday solutions that improve living in and around the bathroom and bring value to both consumers and commercial partners.

Key Technologies

Toilets

## HygieneClean SYSTEM



**DOUBLE VORTEX**  
Maximum flushing performance, minimum water usage.



**POWER RIM**  
Combined with our advanced flushing technology, this rim design eliminates hard-to-reach surfaces for an effective removal of dirt and stains.



**AQUA CERAMIC**  
Super hydrophilic technology prevents dirt and dark ring stains from sticking to ceramic surface.



**SIPHONMAX**  
Dynamic vacuum mechanism with side water jets create a powerful swirl to evacuate both heavy and light waste.



**HYGIENE RIM**  
Truly rimless, cleaned in just one swipe.



**COMFORT CLEAN**  
Effectively kills E. coli bacteria according to tests done with IMSL.

## ADVANCED CLEANSING



### DUAL NOZZLES

Equipped with dedicated front and rear cleansing nozzles.

### POSTERIOR CLEANSING

Offers a strong, direct spray for a thorough cleanse.

### FEMININE AIR BUBBLE SOFT CLEANSING

A gentle flow of warm aerated water provides a soothing shower that is gentle enough for a woman's delicate areas.

### ONE-TOUCH CLEANSING

Suitable for both elderly and children, one-touch cleansing activates the posterior/feminine cleansing & dryer functions consecutively at a touch of a button.

## COMFORT



### INSTANT HEATING SYSTEM

Instant heating system offers instant and constant warm water for comfort.

### HEATED SEAT

Temperature can be easily adjusted for comfort.

### DRYER

Temperature can be easily adjusted for comfort. Computer-memorized settings allow one to keep the same settings as the previous user's.

## ANTIBACTERIAL PROTECTION



### ANTIBACTERIAL PROTECTION

Uses antibacterial resin on seat, cover, nozzle and remote control. Certified to SIAA ISO 22196 standard for antibacterial efficacy (seat only).

 Anti-bacterial protection is certified to SIAA ISO 22196 standard.

## SAFETY



### THERMOSAFE

Safety temperature control up to 49°C, with an auto shut-off function when cold water supply fails.

### COOLSHIELD

Body of faucet stays cool and prevents scalding shocks.

## COMFORT



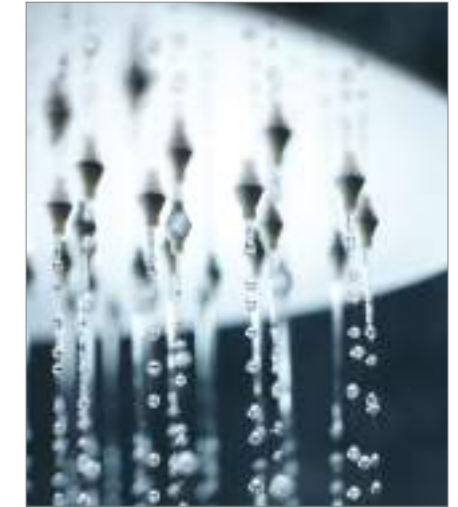
### COMFORTMOVE

Smooth handle performance for optimal precision and comfort.

### THERMOCOMFORT

Provides a constant and comfortable temperature.

## SUSTAINABILITY



### LINE SENSOR

Unmatched sensor precision compared to a conventional sensor faucet.

### CLICKMOVE

Provides 40% water savings with ease of control.

### ECOSTART

Provides up to 30% energy savings.

### AIRNERGIZE

Air-infused water provides a luxurious shower experience while using lesser water.



Exposed Auto Temperature Shower System (3-Way)

The EasySET exposed auto temperature shower system now comes with an added swivel spout for added convenience.



Exposed Auto Temperature Shower System (3-Way)

With an added hand and rain shower, the TemptaCion exposed auto temperature system now allows you to further customize your shower experience.



## Touchless Toilets

Reduce germ and bacteria spread from toilet surfaces with American Standard touchless sensor. Place it anywhere to your convenience and simply wave to activate the flush.

Now available with Neo Modern One-Piece, Neo Modern Close-Coupled, Flexio One-Piece and Halo Close-Coupled toilets.



## Lynbrook Integrated Wall Hung Urinal

Built in infra-red sensor activates flushing 2s after user leaves to provide a contactless and convenient experience. And with the American Standard ComfortClean anti-bacterial glazing technology on the inner surface, bacterial growth is inhibited for a bacteria-free and hygienic bathroom.

# TOILETS

At American Standard, we take our toilets seriously. Each ceramic piece is purposefully designed to enhance bathroom living and hygiene - from powerful flushing performance and antibacterial glaze for added hygiene to ergonomic height and comfort curve seat for a comfortable experience. With a wide array to choose from, we are confident you will find your ideal toilet here.

## KEY FEATURES AND TECHNOLOGIES

### HYGIENE



#### SIPHONMAX

Dynamic vacuum mechanism with side water jets create a powerful swirl to evacuate both heavy and light waste.



#### DOUBLE VORTEX

Maximum flushing performance, minimum water usage.



#### AQUA CERAMIC

Super hydrophilic technology prevents dirt and dark ring stains from sticking to ceramic surface.



#### COMFORTCLEAN

Effectively kills E. coli bacteria according to tests done with IMSL.

### COMFORT



#### RIGHT HEIGHT

Easy to get on and off, especially for the elderly, pregnant and disabled.



#### COMFORT PUSH BUTTON

A larger surface area for ease of use.



#### COMFORT CURVE SEAT

An ergonomic fit that comfortably contours to the body.



#### ARMORLID

Highly durable seat and cover with excellent resistance to scratch, impact and discoloration.

### CONVENIENCE



#### POWER RIM

Eliminates hidden, hard-to-reach surfaces for an effective removal of dirt and stain buildup.



#### HYGIENE RIM

Truly rimless design that can be cleaned in one swipe.



#### SKIRTED DESIGN

Premium design allows for quick and easy exterior cleaning.



#### SLOW-CLOSE SEAT

Gentle and quiet closing action.



#### EASY LIFT

Unique lever design for lifting the seat cover easily.



#### EASY RELEASE

Easy removal for thorough cleaning.

### SUSTAINABILITY



#### WATER SAVING

Water-saving for ecological and economical sense.



#### DUAL FLUSH

Choice between a half flush and a full flush for liquids or solids while still offering superior flushing performance.

ONE-PIECE TOILETS

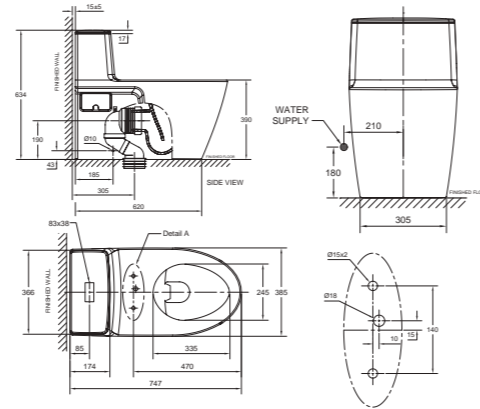


**Acacia SupaSleek**  
One-Piece Toilet

**CL20075**

L747 x W385 x H634 mm

Double Vortex with Power Rim  
2.6/4L Dual Flush  
305mm, S-Trap  
190mm, P-Trap  
Elongated Bowl



ONE-PIECE TOILETS

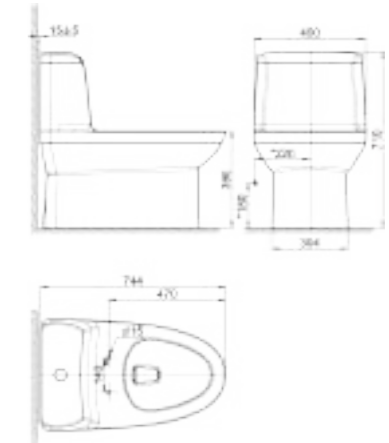


**Milano**  
One-Piece Toilet

**CL20415**

W450 x L744 x H710 mm

Double Vortex  
3/4.2L Dual Flush  
305 mm, S-Trap  
190 mm, P-Trap

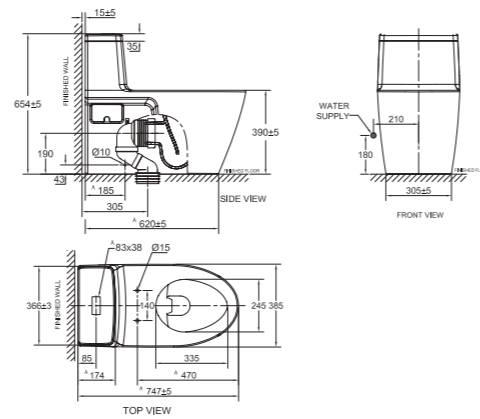


**Acacia Evolution**  
One-Piece Toilet

**CL20075**

W385 x L747 x H654 mm

Double Vortex  
2.6/4L Dual Flush  
305 mm, S-Trap  
190 mm, P-Trap

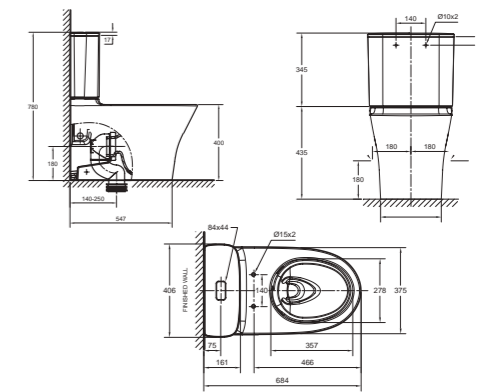


**Signature**  
Close-Coupled Back-to-Wall Toilet

**CL26225**

L684 x W406 x H780 mm

Double Vortex with Hygiene Rim  
3/4.5 L Dual  
305mm S-trap (Asia)  
180mm P-trap  
Elongated Bowl

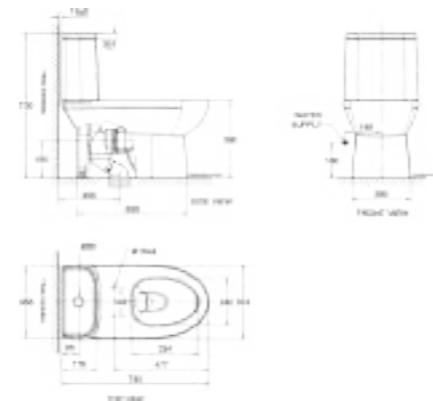


**Neo Modern**  
One-Piece Toilet

**CL25315**

W376 x L735 x H730 mm

Double Vortex  
3/4.2L Dual Flush  
305 mm, S-Trap  
190 mm, P-Trap

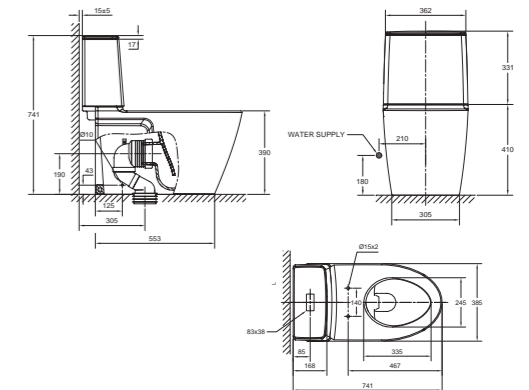


**Acacia SupaSleek**  
Close-Coupled Toilet

**CL23075**

L741 x W385 x H741 mm

Double Vortex with Power Rim  
2.6/4L Dual Flush  
140-245mm, S-Trap  
Elongated Bowl

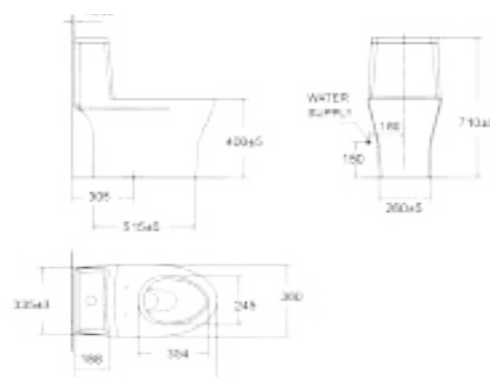


**Flexio**  
One-Piece Toilet

**CL25300**

W360 x L715 x H710 mm

Washdown  
3/4.2L Dual Flush  
305 mm, S-Trap

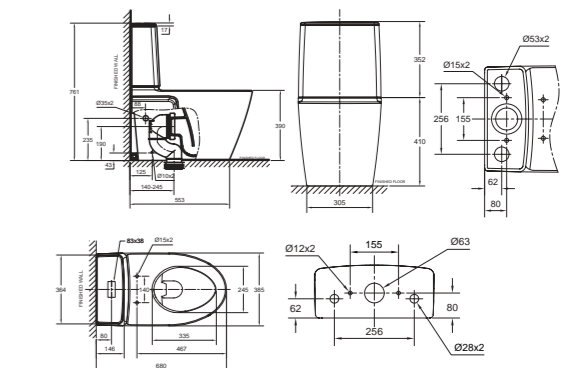


**Acacia SupaSleek**  
Close-Coupled Back-to-Wall Toilet

**CL23175 (Bottom Inlet)**

L680 x W385 x H761mm

Double Vortex with Power Rim  
3/4.5L Dual Flush  
140-245mm, S-Trap  
Elongated Bowl



CLOSE COUPLED TOILETS

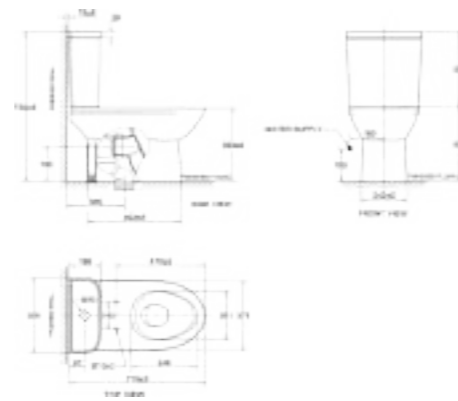


**Neo Modern**  
Close Coupled Toilet

**CL26305**

W399 x L716 x H792 mm

Washdown  
3/4.5L Dual Flush  
305 mm, S-Trap  
190 mm, P-Trap

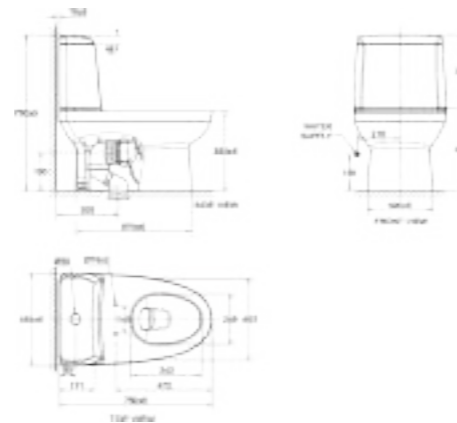


**Milano**  
Close Coupled Toilet

**CL23275**

W454 x L750 x H765 mm

Double Vortex  
3/4.2L Dual Flush  
305 mm, S-Trap  
190 mm, P-Trap

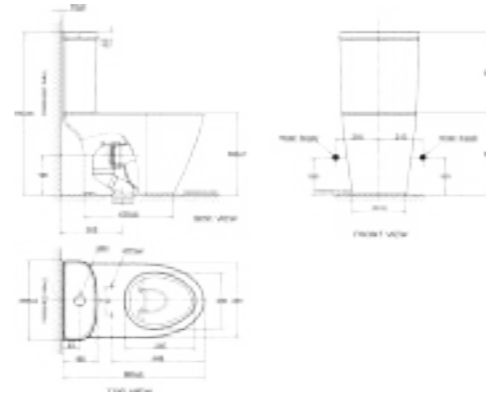


**Compact Codie**  
Close Coupled Toilet

**CL24075**

W386 x L680 x H782 mm

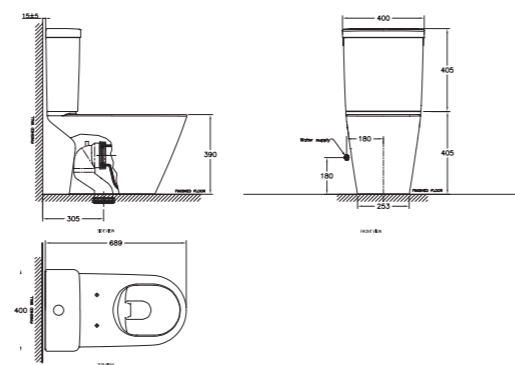
Washdown  
3/4.2L Dual Flush  
305 mm, S-Trap  
190 mm, P-Trap



**Tonic New Wave (Square Tank)**  
Close Coupled Toilet

**CL21020**

W400 x L689 x H810 mm  
Washdown  
3/4.5L



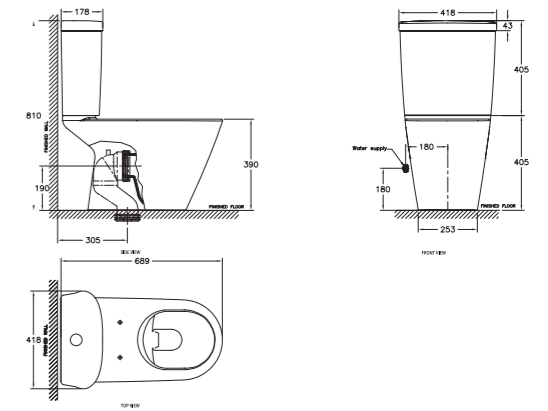
CLOSE COUPLED TOILETS



**Tonic New Wave (Oval Tank)**  
Close Coupled Toilet

**CL21030**

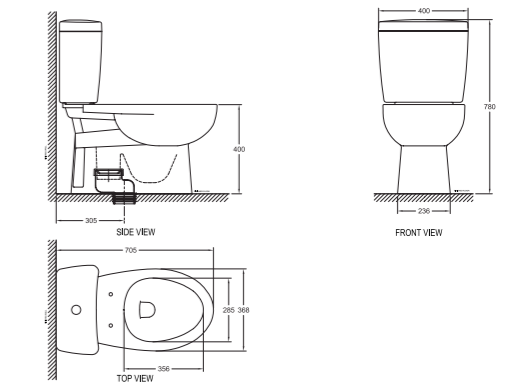
W418 x L689 x H810 mm  
Washdown  
3/4.5L



**New Sibia**  
Close Coupled Toilet

**CL27935**

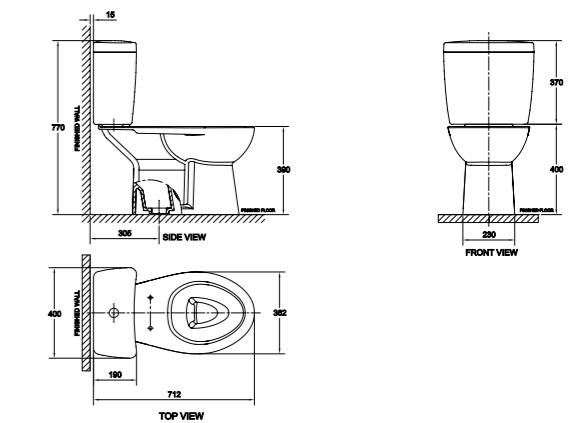
W400 x L705 x H780mm  
Washdown  
3/4.5L Dual Flush



**Halo Concave**  
Close Coupled Toilet

**CL28935**

W400 x L712 x H770 mm.  
Washdown  
3/4.5L Dual Flush

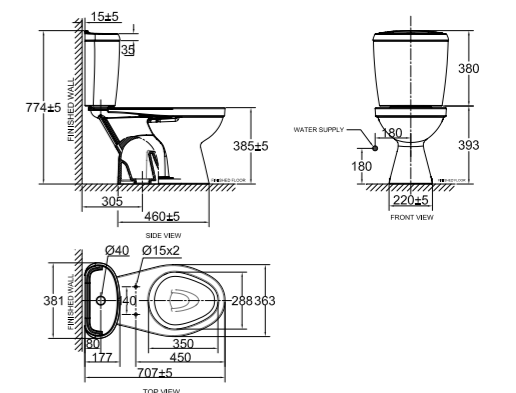


**Winston II**  
Close-Coupled Toilet

**CL26965**

L707 x W381 x H774 mm

Washdown  
3/4.5 L Dual Flush  
305 mm, S-Trap  
Semi-Elongated Bowl



CLOSE COUPLED TOILETS

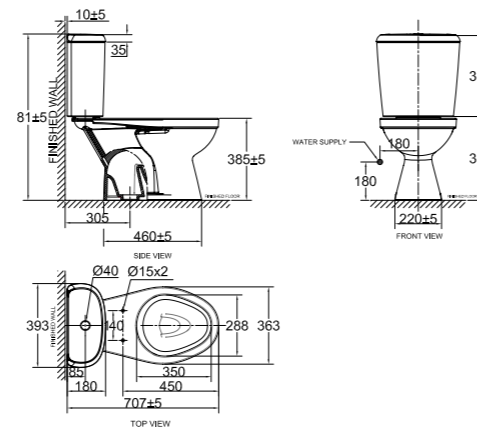


**Winplus II**  
Close-Coupled Toilet

**CL26985**

L707 x W393 x H781 mm

Washdown  
3/4.5 L Dual Flush  
305 mm, S-Trap  
Semi-Elongated Bowl



BACK TO WALL TOILETS

Compatible with:  
Concealed Cisterns  
Concealed Flush Valve

Concept Oblong (Best Design Match)  
Concept Pillow  
Concept Arc Dual FV

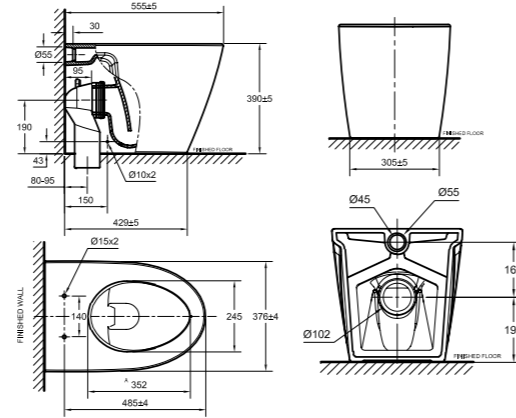


**Acacia SupaSleek**  
Back-to-Wall Toilet

**CL32297**

L555 x W376 x H390 mm

Double Vortex with Power Rim  
3/4.5L Dual Flush  
80-95mm, S-Trap  
190mm, P-Trap  
Elongated Bowl

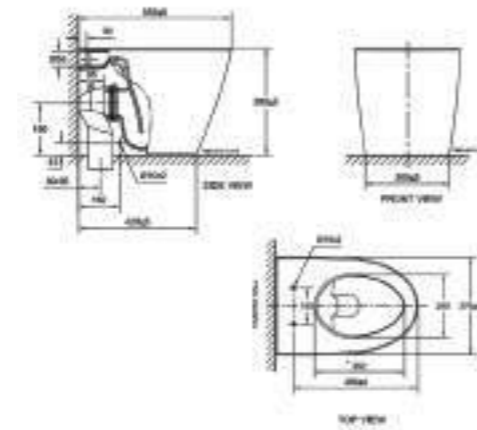


**Acacia Evolution**  
Back to Wall Toilet

**CL3229B**

W376 x L555x H390 mm

Double Vortex  
305 mm, S-Trap  
190 mm, P-Trap



WALL HUNG TOILETS

Compatible with:  
Concealed Cisterns

Concept Pillow (Best Design Match)  
Concept Oblong

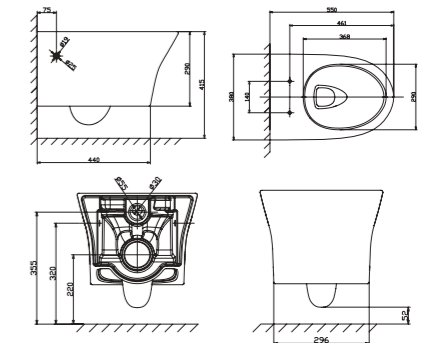


**Signature**  
Wall-Hung Toilet

**CCAS2140**

L550 x W382 x H290 mm

Double Vortex with  
Hygiene Rim  
3/4.5L Single Flush  
220mm, P-Trap  
Elongated Bowl

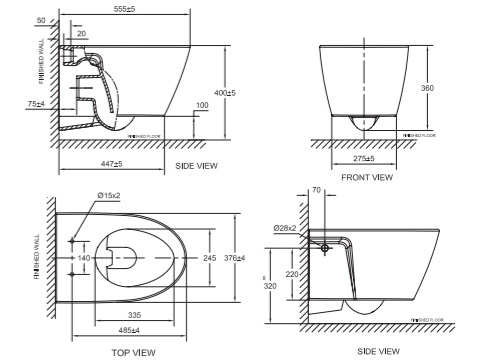


**Acacia SupaSleek**  
Wall Hung Toilet

**CL31197**

W376 x L555x H360 mm

Double Vortex  
190 mm, P-Trap

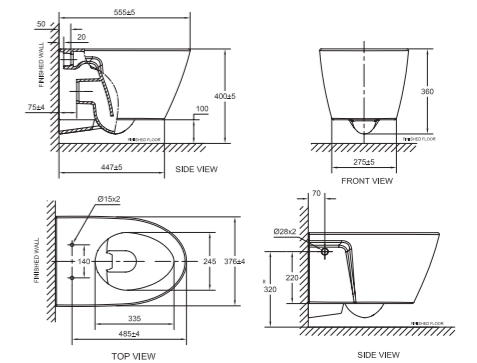


**Acacia Evolution**  
Wall Hung Toilet

**CL3119**

W376 x L555x H360 mm

Double Vortex  
190 mm, P-Trap

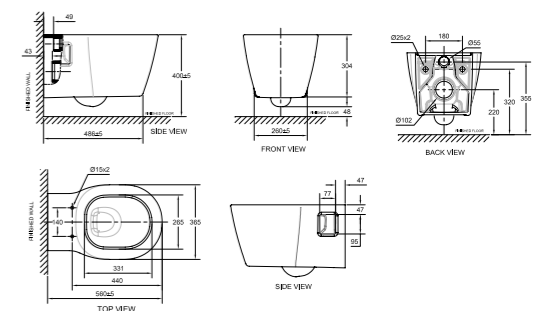
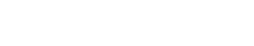


**Concept Nuovo**  
Wall Hung Toilet

**CL31057**

W365 x L560x H352 mm

Dual Flush Wash Down  
3/4.5L Dual Flush







# WASH BASINS

Glam up your bathroom aesthetics with a thin-edge vessel basin or opt for a space-saving corner wall hung wash basin for an intimate size bathroom. Crafted with perfect silhouette and manufactured for durability, take your pick from a comprehensive range of wash basins that will suit every individual style and budget.

## KEY FEATURES AND TECHNOLOGIES

### TECHNOLOGY



#### **THINEDGE TECHNOLOGY**

Made with our latest technology for a sleek silhouette.



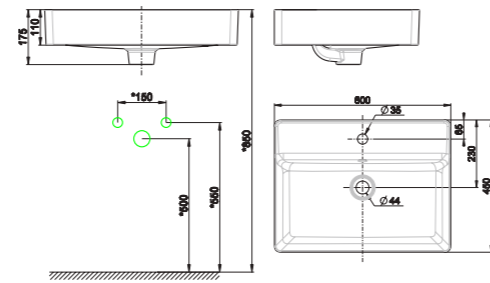
WALL HUNG WASH BASINS



**Acacia SupaSleek**  
Wall-Hung Basin

**CCASF421 (1-Hole)**

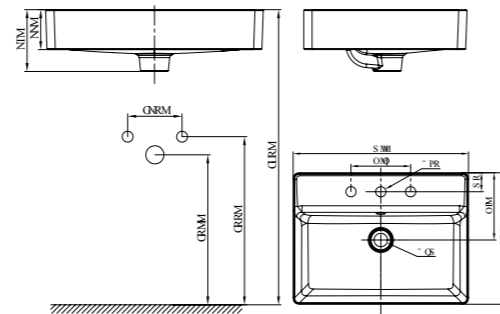
L450 x W600 x H110 mm



**Acacia SupaSleek**  
Wall-Hung Basin

**CCASF421 (3-Hole)**

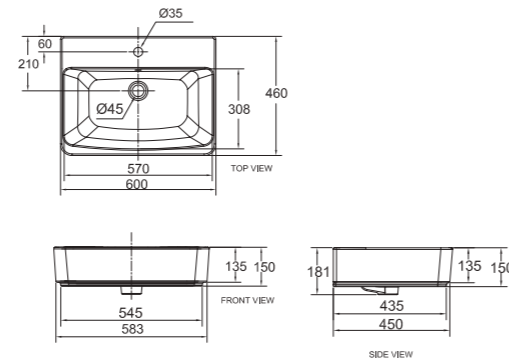
L450 x W600 x H110 mm



**Acacia Evolution**  
Wall Hung Wash Basin

**CL0507I**

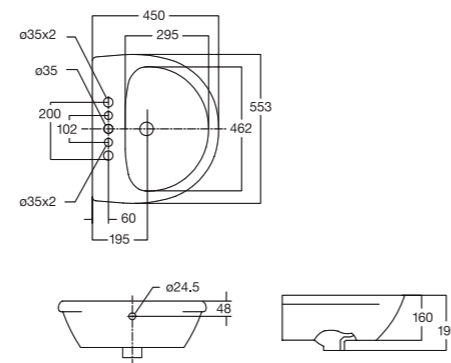
W460 x L600 x H150mm



**Neo Modern**  
Wall Hung Wash Basin

**CL0953I**

W450 x L553 x H160mm



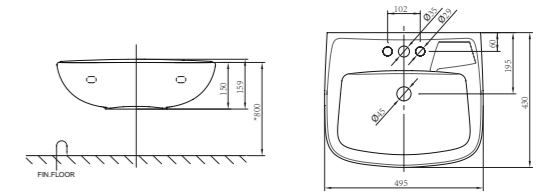
WALL HUNG WASH BASINS



**New Codie**  
Wall-Hung

**CL0948I**

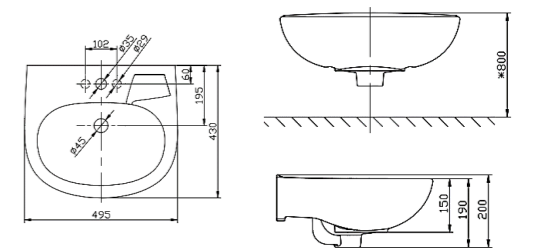
L495 x W430 x H190 mm



**New Codie**  
Wall-Hung

**CL0947I**

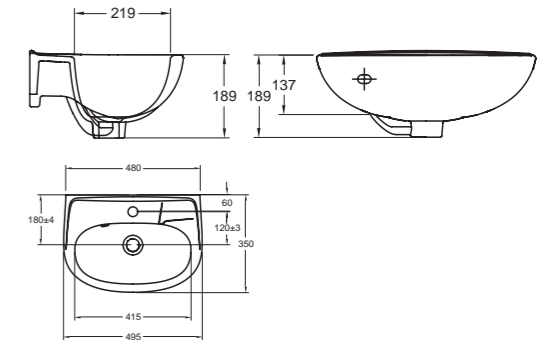
L495 x W430 x H190 mm



**New Codie**  
Wall-Hung  
Round Wash Basin

**CL0945I**

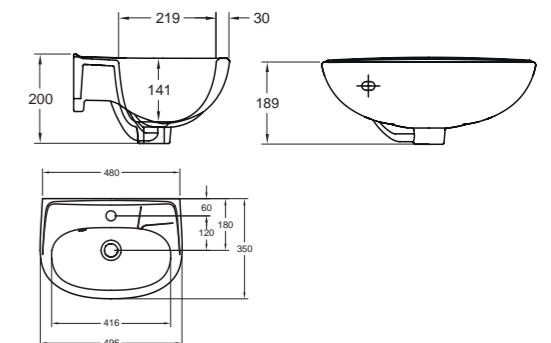
L495 x W350 x H190 mm



**New Codie**  
Wall-Hung  
Square Wash Basin

**CL0946I**

L495 x W350 x H190 mm



WALL HUNG WASH BASINS

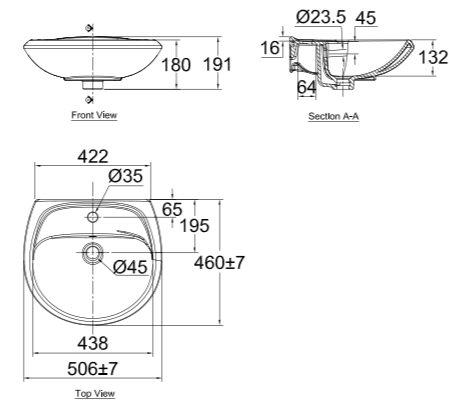
WALL HUNG WASH BASINS



**Winston**  
Wall-Hung Wash Basin

**CL0979I**

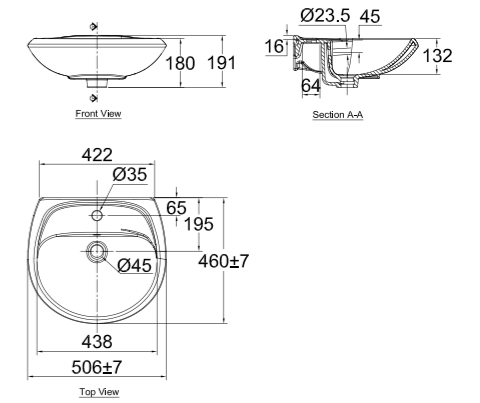
L506 x W460 x H191 mm



**Winston**  
Wall-Hung Wash Basin

**CL0979I**

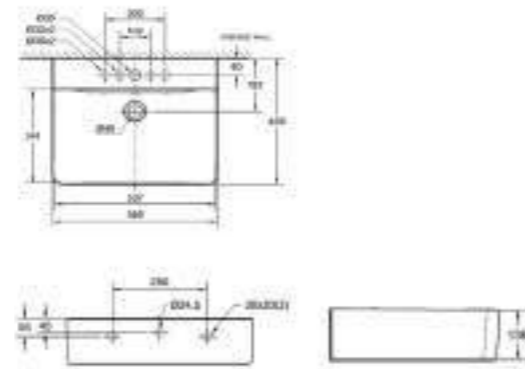
L506 x W460 x H191 mm



**Concept Cube**  
Wall Hung Wash Basin

**CL0550I**

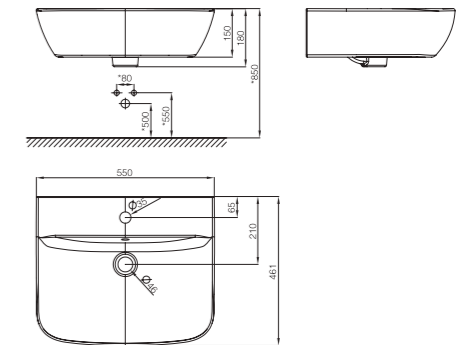
W459 x L549 x H138mm



**Cygnat**  
Wall-Hung Lava  
550 mm single hole

**CCAS151I**

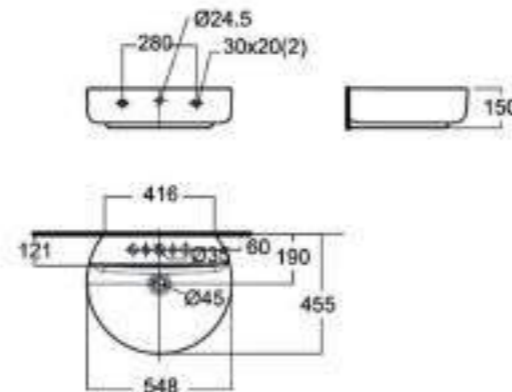
L550 x W461 x H150 mm



**Concept Sphere**  
Wall-Hung Basin

**CL0552I**

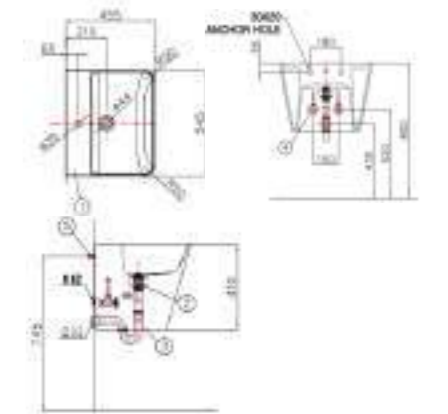
L550 x W455 x H150 mm



**Integrated Pedestal**  
Basin Square-S

**CCASF516**

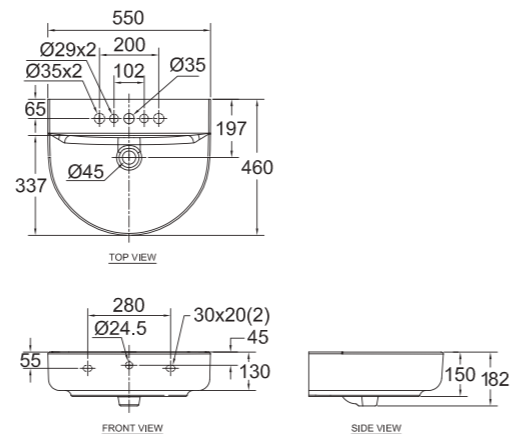
L545 x W455 x H410 mm



**Concept D-shape**  
550mm Wall-Hung  
Wash Basin

**CL0553I**

L550 x W460 x H150 mm



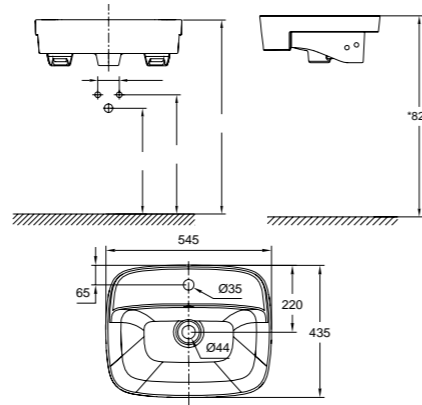
SEMI RECESSED WASH BASINS



**Signature**  
550mm Semi Counter Basin

**CCAS0320 (1-Hole)**

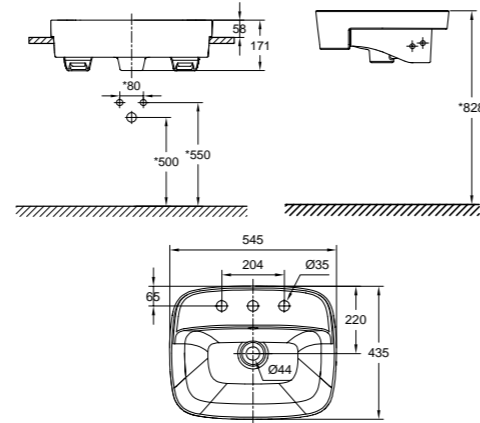
L545 x W435 x H171 mm



**Signature**  
550mm Semi Counter Basin  
(8 inch hole)

**CCAS0320 (3-Hole)**

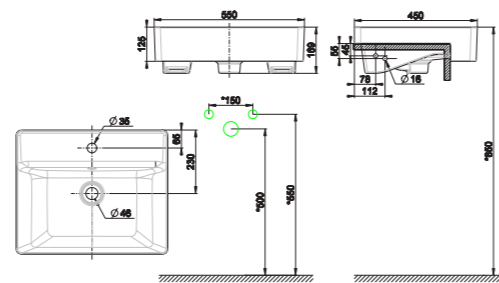
L545 x W435 x H171 mm



**Acacia SupaSleek**  
Semi Counter Basin  
(1 Hole)

**CCASF419**

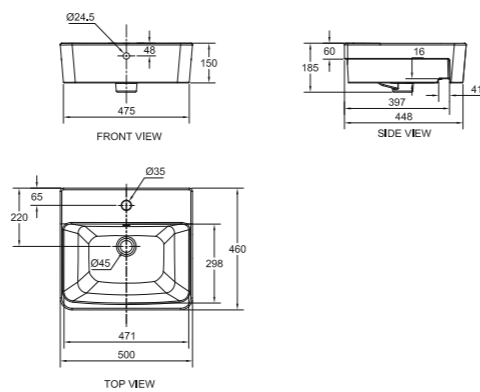
L380 x W550 x H125 mm



**Acacia Evolution**  
Semi Recessed Wash Basin

**CLO5191**

W460 x L500 x H181mm



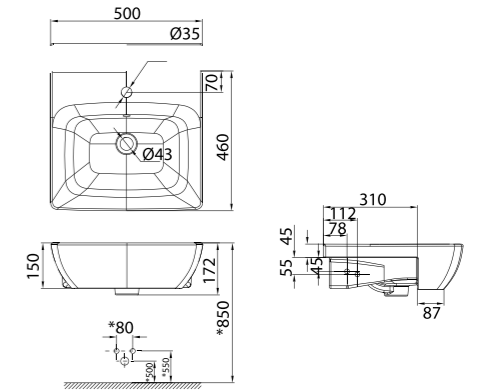
SEMI RECESSED WASH BASINS



**Milano**  
500mm Semi Counter  
Wash Basin

**CCASF301**

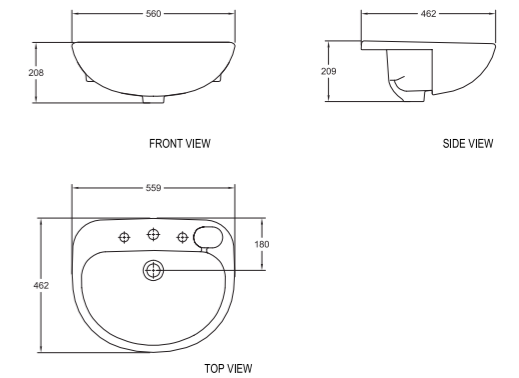
L500 x W460 x H172 mm



**Studio**  
Semi-Counter Wash Basin

**CLO5201**

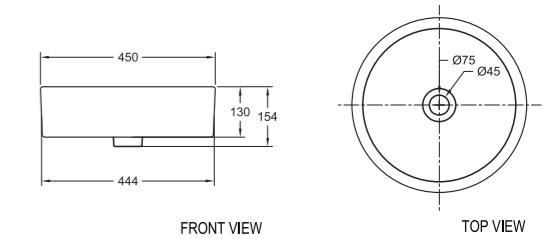
L560 x W462 x H209 mm



**White**  
Semi-Countertop Wash Basin

**CCASF307**

L450 x W450 x H130mm



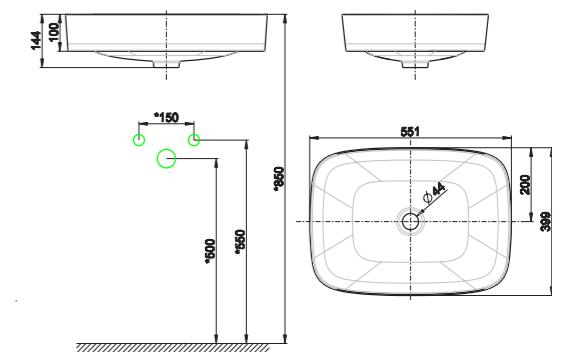
VESSEL WASH BASINS



**Signature**  
550mm Vessel

**CCAS0628**

L551 x W399 x H100 mm



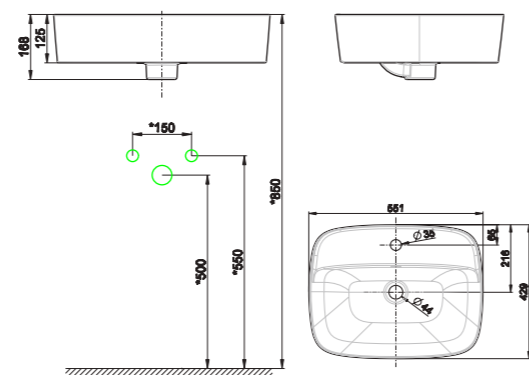
VESSEL WASH BASINS



**Signature**  
550mm Vessel With Deck

**CCAS0618 (1-Hole)**

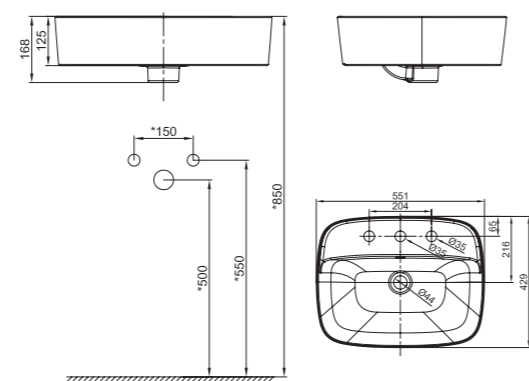
L551 x W429 x H125 mm



**Signature**  
550 mm Vessel With Deck (3-Hole)

**CCAS0618 (3-Hole)**

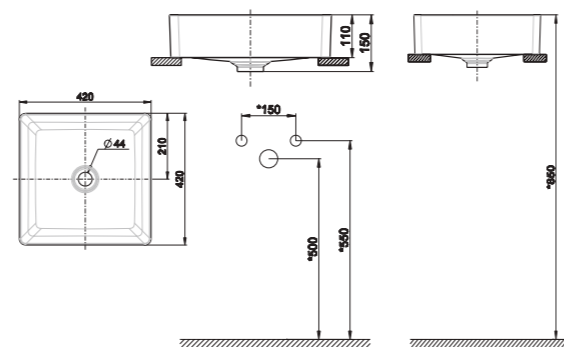
L551 x W429 x H125 mm



**Acacia SupaSleek**  
420mm Square Vessel

**CCASF411**

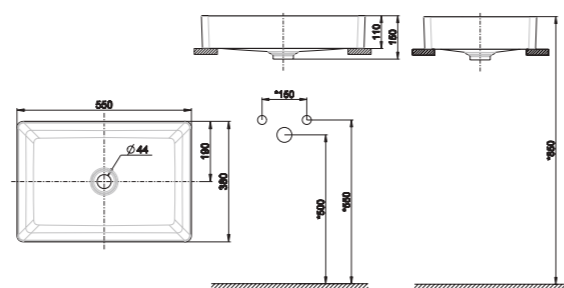
L420 x W420 x H110 mm



**Acacia SupaSleek**  
550mm Vessel

**CCASF412**

L380 x W550 x H110 mm



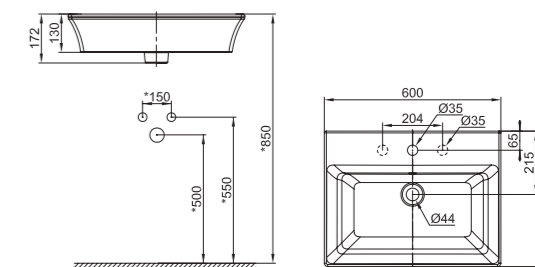
VESSEL WASH BASINS



**Kastello**  
600mm Vessel with Deck Basin

**CCASF525**

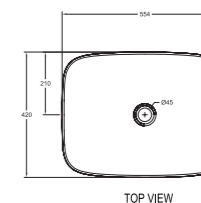
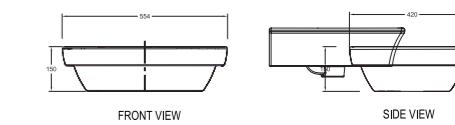
L600 x W460 x H172 mm



**Cygnat**  
Vessel Basin

**CCASF646**

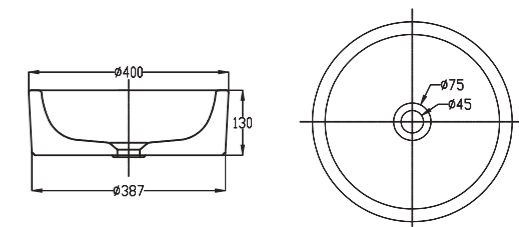
L554 x W420 x H180 mm



**White Round**  
Vessel Basin

**CCASF605**

L400 x W400 x H154mm



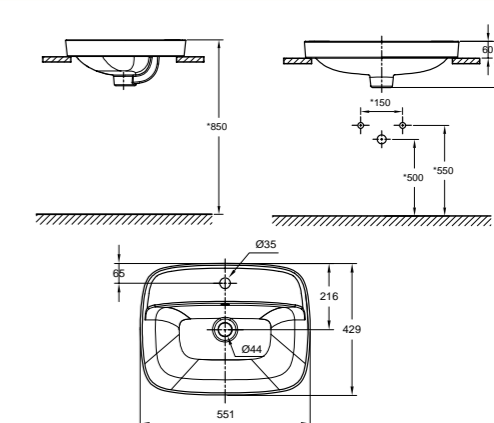
COUNTERTOP WASH BASINS



**Signature**  
550mm Countertop Basin

**CCAS0420**

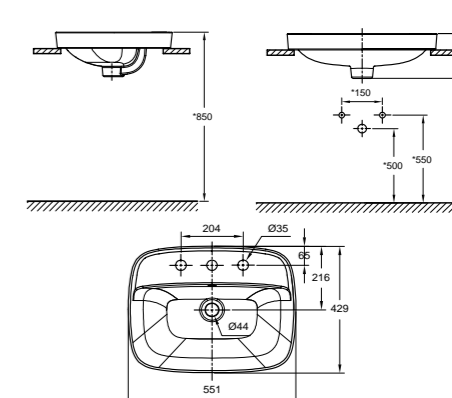
L551 x W429 x H165 mm



**Signature**  
550mm Countertop Basin (3-Hole)

**CCAS0420 (3-Hole)**

L551 x W429 x H165 mm



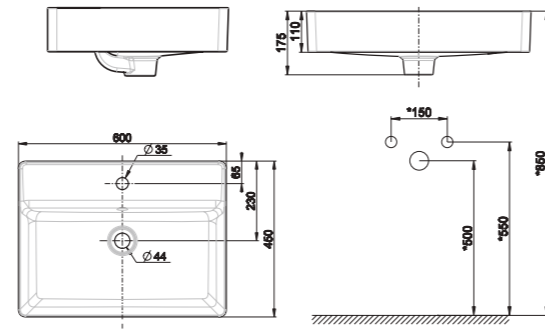
COUNTERTOP WASH BASINS



**Acacia SupaSleek**  
Vessel with Deck

**CCASF420**

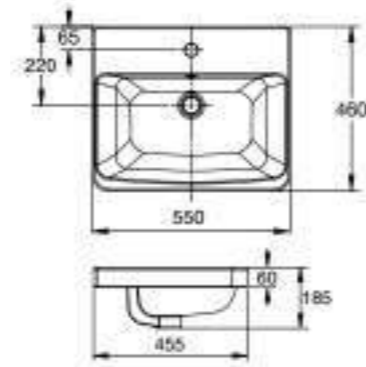
L450 x W600 x H110 mm



**Acacia Evolution**  
Semi Insert, 1-hole wash basin

**CCASF417**

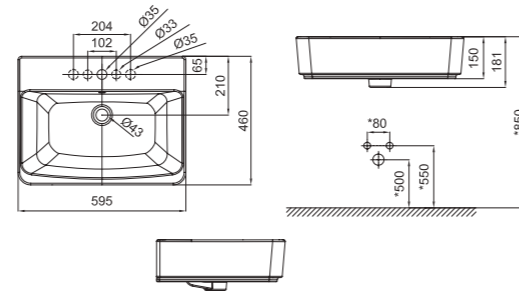
L550xW460xH60mm



**Acacia Evolution**  
60 Vessel Wash Basin

**CCAS0620**

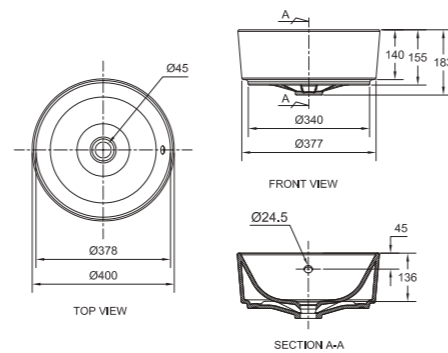
W460 x L600 x H150mm  
3-Hole, 4"



**Acacia Evolution**  
Round Vessel Wash Basin

**CL05091**

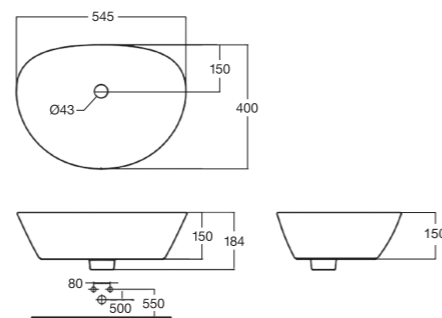
W400 x L400 x H140mm



**Neo Modern**  
Vessel Wash Basin

**CCASF633**

W400 x L545 x H150mm



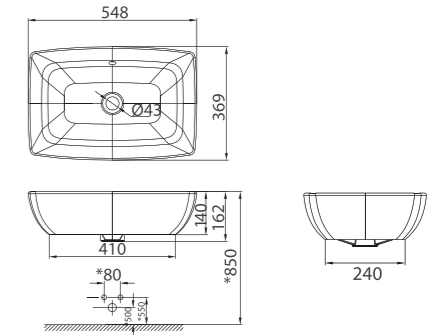
COUNTERTOP WASH BASINS



**Milano**  
550mm Vessel Wash Basin

**CCASF650**

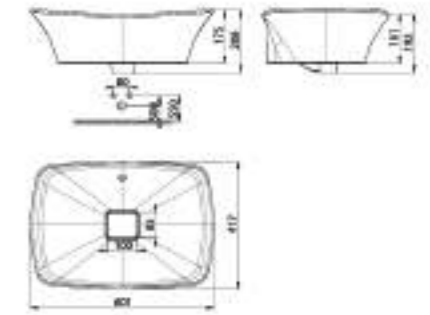
W369 x L548 x H140mm



**La Moda**  
Vessel Wash Basin

**CCASF602**

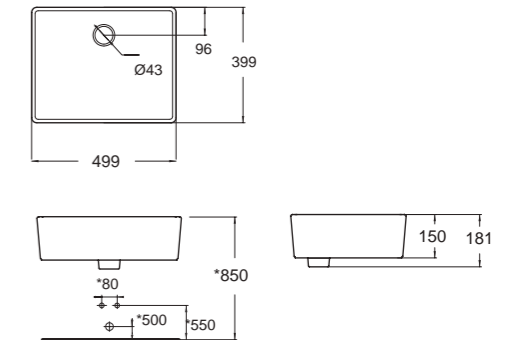
W417 x L600 x H175mm



**Thin Touch Square**  
50 Vessel Wash Basin

**CCASF611**

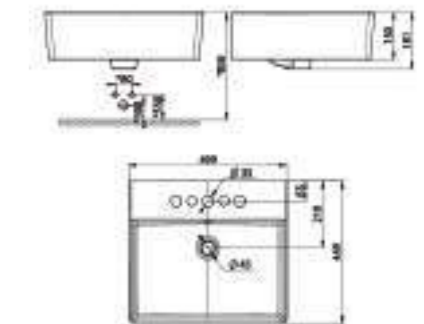
W399 x L499 x H180mm



**Thin Touch Square**  
50 Vessel Wash Basin  
(Tap Hole)

**CCASF613**

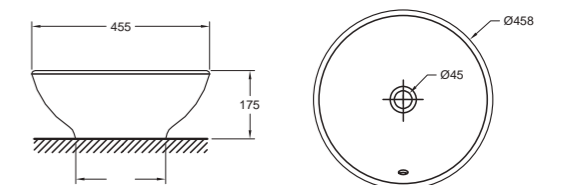
W449 x L499 x H181 mm



**Vallo**  
Round Bowl Wash Basin

**CL05001**

W458 x L458 x H175 mm



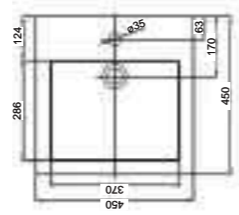
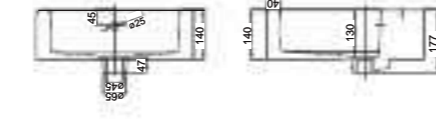
COUNTERTOP WASH BASINS



**Mizu 45**  
Countertop Wash Basin

**CCASF445**

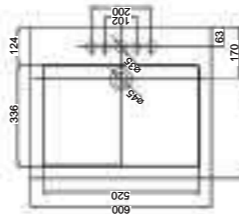
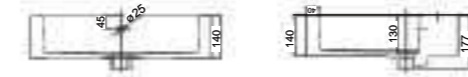
W450 x L450 x H177mm



**Mizu 60**  
Countertop Wash Basin

**CCASF446**

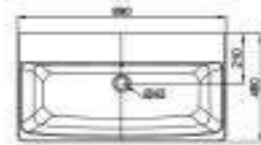
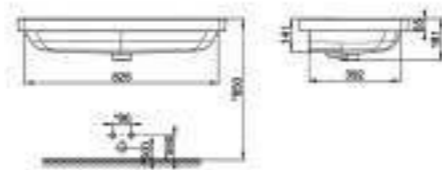
W500 x L600 x H177mm



**Facility Double**  
Countertop lava Wash Basin

**CCASF521**

W460 x L890 x H141mm



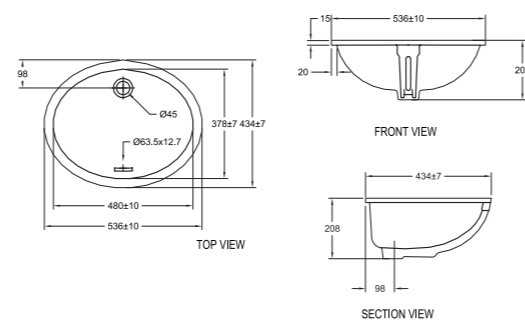
UNDERCOUNTER WASH BASINS



**AS Ovalyn**  
Under Counter Wash Basin

**CL470L1**

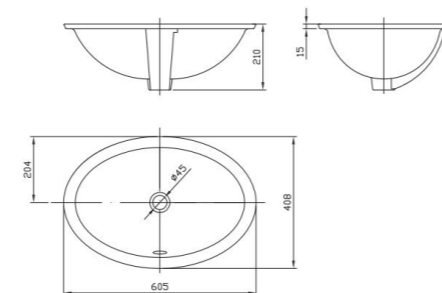
W434 x L536 x H208 mm



**AS Victoria**  
Under Counter Wash Basin

**CCASO433**

W405 x L605 x H205 mm



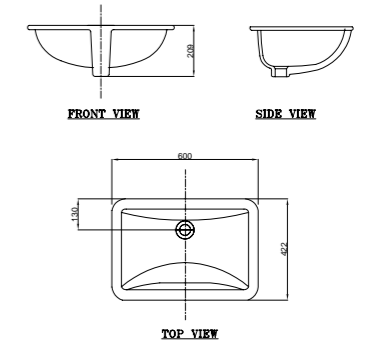
UNDERCOUNTER WASH BASINS



**Activa**  
Undercounter Wash Basin

**CL0459I**

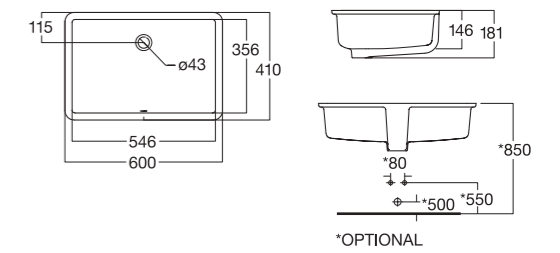
W422 x L600 x H209 mm



**Square thin**  
600mm Under Counter Wash Basin

**CCASF513**

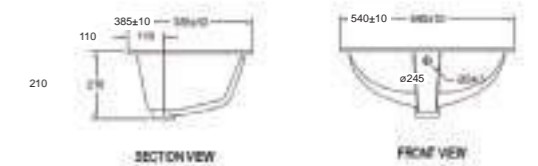
L600 x W410 x H181 mm



**Studio**  
Undercounter Wash Basin

**CL0474I**

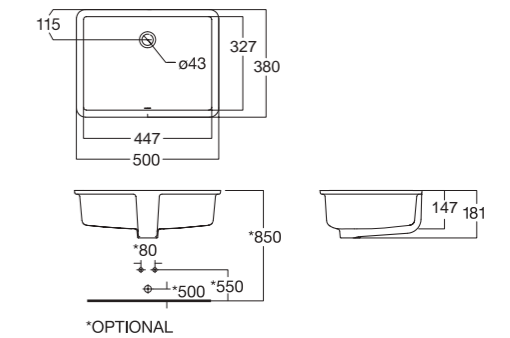
W540 x L385 x H210mm



**Square Thin**  
500mm Under Counter Wash Basin

**CCASF514**

W410 x L600 x H181mm



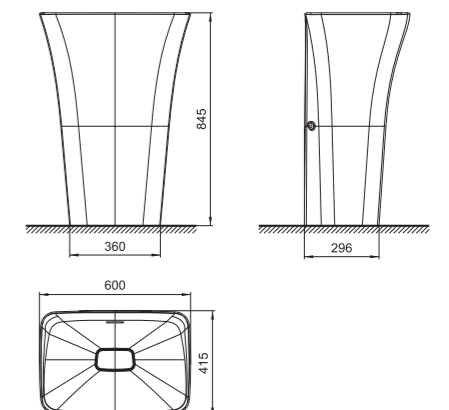
FLOOR STANDING WASH BASINS



**Luxus**  
Floor Standing Vessel Wash Basin

**CCASF523**

W415 x L600 x H845 mm



# BASIN FAUCETS

Experience the comfort of using our range of basin faucets while doing your bit for the environment, thanks to the ceramic disc valve and technologies we have embedded in our products. The German-designed cartridge features patented advanced ceramic alloy discs with a polished mirror-like surface that glides over one another with utmost precision. These discs are coated with a special Teflon® lubricant for a friction-free performance, ensuring years of effortless handling, water control and maintenance-free operation.

## KEY FEATURES AND TECHNOLOGIES

### CONVENIENCE



#### EASYCLEAN

Silicone aerator allows easy removal of limescale or dirt.



#### EASYFIX

Hassle-free installation provides time and cost savings.



#### PUSH & TURN

Dial adjusts water volume easily and offers daily convenience at the push of a button.



#### SWIVEL 360°

360° spout provides space flexibility and ease of use.



#### RETRACTSPOUT

Pull-out spout for multifunctional usage.



#### FLEXIMATCH

Multiple colors and finishes to match any style.



#### EASYPUSH

Easy to operate, even with wet or soapy hands.

### COMFORT



#### COMFORTMOVE

Smooth handle performance for optimal precision and comfort.



#### COMFORT ANGLE

Adjustable water flow angle for a comfortable, perfect splash-proof experience.



#### COMFORT SPACE

Ample space between spout and handle for ease of use.

### SUSTAINABILITY



#### ECOSTART

Provides up to 30% energy savings.



#### CLICKMOVE

Provides 40% water savings with ease of control.



#### WATER-SAVING

Water-saving for ecological and economical sense.

### SAFETY



#### ZERO LEAD

Total protection for well-being with zero lead contact in waterway.



#### LOW LEAD

Minimal lead content provides better health protection compared to standard brass.

### DURABILITY



#### DURASHINE

Shiny chrome finishing gives an enduring brilliance.

# BATH & SHOWERS









Rejuvenate and invigorate with our showers of happiness. Here at American Standard, we are not only looking at perfecting your cleansing ritual. Combining smart designs, thoughtful innovations and environmentally-friendly technologies, we are here to inject a dose of pure adulterated happiness to your shower experience.

## KEY FEATURES AND TECHNOLOGIES

### CONVENIENCE

- 
**EASYCLICK**  
 An instinctive button for switching between spray modes.
- 
**EASYFIX**  
 Hassle-free installation provides time and cost savings.
- 
**PUSH & TURN**  
 Dial adjusts water volume easily and offers daily convenience at the push of a button.
- 
**TWISTFREE**  
 Prevents shower hose from entangling.
- 
**TOUCH**  
 Effortlessly change the spray function with an easy touch of the showerhead's outer ring.
- 
**FLEXIMATCH**  
 Multiple colors and finishes to match any style.
- 
**JET SPRAY**  
 Strong and powerful spray for cleaning.
- 
**eTOUCH**  
 Easy-access, waterproof remote switch that is mountable anywhere in the shower allows user to change shower function with a simple click.
- 
**AQUATOGGLE**  
 Smartly positioned lever allows users to easily switch between preferred functions while operating the spray head with a single hand.
- 
**DIVERTPADDLE**  
 Easy-to-reach position of diverter makes switching between hand shower and showerhead easier and more accessible.
- 
**EASYCLEAN**  
 Allows easy removal of limescale, mold or dirt.
- 
**EASYPUSH**  
 Easy to operate, even with wet or soapy hands.
- 
**HYGIENEPLUS**  
 Fully antimicrobial body for complete protection and peace of mind. \*HygienePlus™ is only available for full glossy white version.
- 
**SPACECREATE**  
 Creates extra usable space in the bathroom.
- 
**EASYSWIVEL**  
 Hassle-free installation provides time and cost savings.
- 
**PRESET**  
 Starts shower at the push of a button which is preset to your previous shower settings.
- 
**DOCK-TITE**  
 Dock-Tite's magnetic docking system secures the spray head and provides easy operation of spray head
- 
**EASYGLIDE**  
 Hand shower holder that allows you to easily adjust its height, single-handedly.
- 
**PRESSUREPLUSE**  
 Comfortable shower experience even at low pressure.
- 
**FLEXIFIT**  
 Adjustable to suit front on back button usage..



### COMFORT

- 
**THERMOCOMFORT**  
 Provides a constant and comfortable temperature.
- 
**TRANQUIL RAIN**  
 Soft, drizzling shower that is perfect for rinsing shampoo out.
- 
**JET RAIN**  
 Targeted jet spray that kneads tired muscles.
- 
**THERAPY RAIN**  
 Soothing vortex spray that gently relaxes the body.
- 
**WATERFALL**  
 A natural, cascading water flow.
- 
**PETAL PRESSURE**  
 Robust shower pressure yet gentle on your skin.


### SAFETY

- 
**SAFETY LOCK**  
 Keeps water at a safe temperature.
- 
**THERMOSAFE**  
 Safety temperature control up to 49°C, with an auto shut-off function when cold water supply fails.
- 
**COOLSHIELD**  
 Body of faucet stays cool and prevents scalding shocks.

### SUSTAINABILITY

- 
**WATER-SAVING**  
 Water-saving for ecological and economical sense.
- 
**AIRNERGIZE**  
 Air-infused water provides a luxurious shower experience while using lesser water.

### DURABILITY

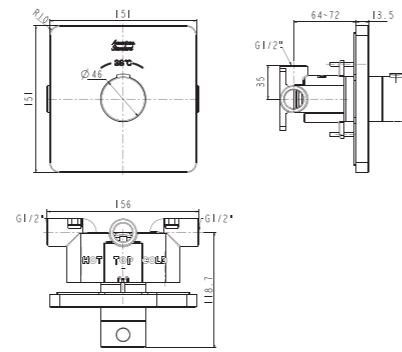
- 
**DURASHINE**  
 Shiny chrome finishing gives an enduring brilliance.

AUTO TEMPERATURE MIXERS



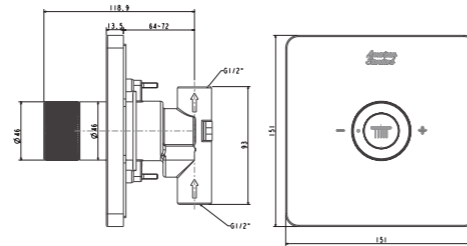
**EasySET**  
Concealed Thermostatic Mixer with Trim

**FFAS0930-000500BC0**



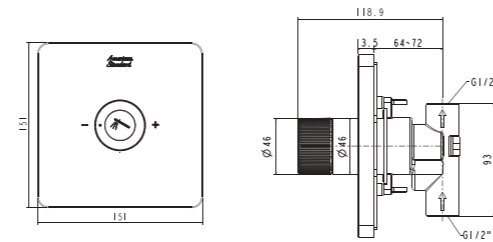
**EasySET**  
for Head Shower

**FFAS0926-709500BC0**



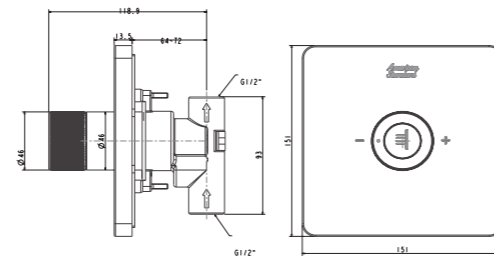
**EasySET**  
for Hand Shower

**FFAS0925-709500BC0**



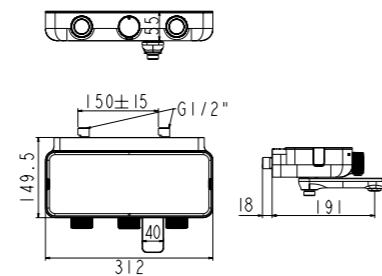
**EasySET**  
for Body Shower

**FFAS0927-709500BC0**



**EasySET**  
Exposed Bath & Shower Mixer

**FFAS4954-609500BC0**

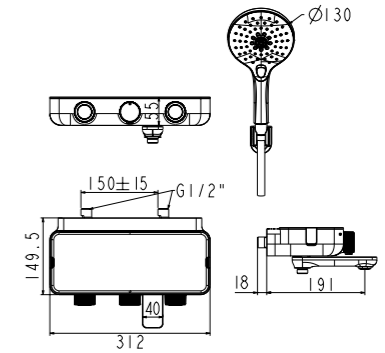


AUTO TEMPERATURE MIXERS



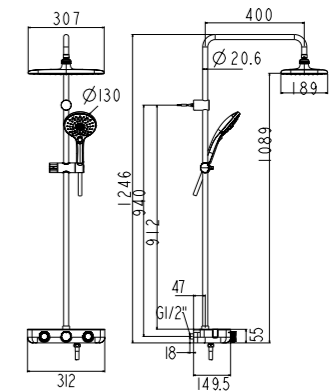
**EasySET**  
Exposed Bath & Shower Mixer  
with Shower Kit

**FFAS4954-601500BC0**



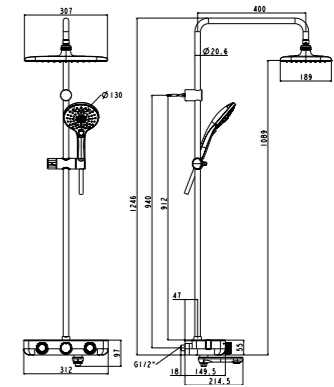
**EasySET**  
Exposed Rainshower System

**FFAS4955-701500BC0**



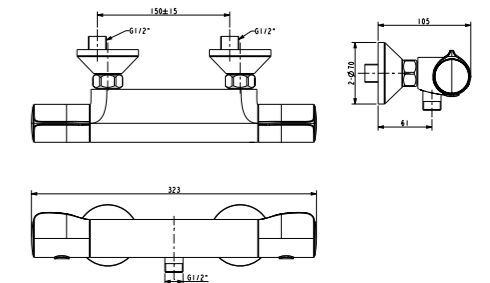
**EasySET**  
Exposed Auto Temperature  
Shower System (3-Way)

**FFAS4956-601500BC0**



**Temptacion**  
Exposed Auto Temperature  
Shower Mixer

**FFAS4950-709500BC0**

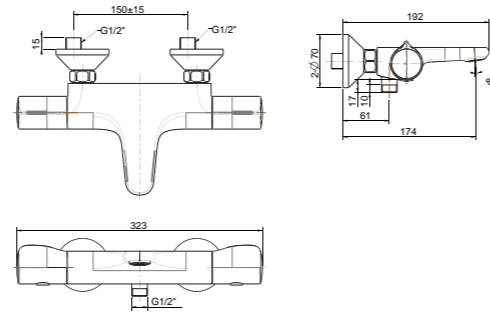


AUTO TEMPERATURE MIXERS



**Temptacion**  
Exposed Auto Temperature  
Bath & Shower Mixer

**FFAS4949-609500BC0**

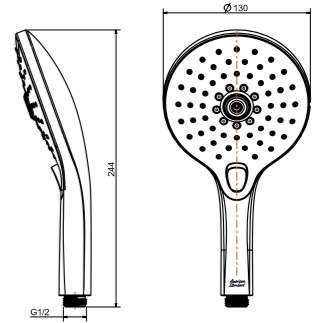


HAND SHOWER



**Rainlick**  
3 Function Hand Shower

**FFAS9H11-000500BC0**

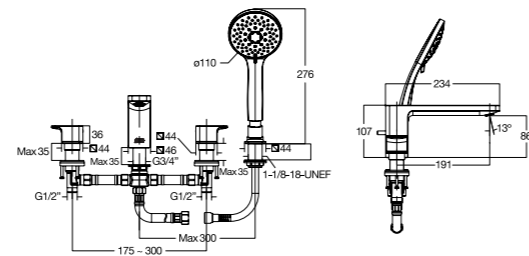


BATH & SHOWER MIXERS



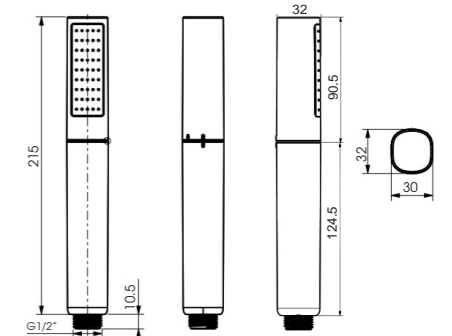
**Acacia Evolution**  
Deck Mount Bath & Shower  
Mixer with Shower Kit

**FFAS1300-601500BC0**



**DuoStiX**  
Hand Shower

**FFAS507-000090BFO** (Glossy White)  
**FFAS507-000440BFO** (Matte Black)

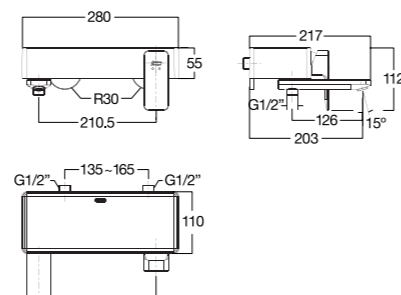


Hygiene Spray



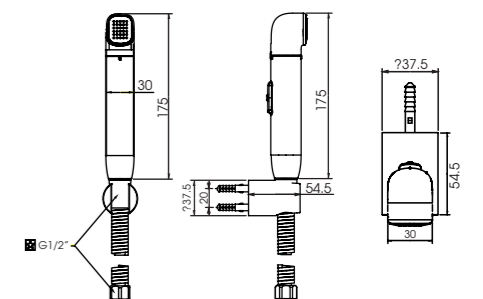
**Acacia Evolution**  
Exposed Bath & Shower Mixer

**FFAS1311-609500BC0**



**DuoStiX**  
Hygiene Spray

**FFASTS28-000090BFO** (Chrome & Glossy White)  
**FFASTS28-000440BFO** (Chrome & Matte Black)  
**FFASTS28-000091BFO** (Glossy White)



\*Full Glossy White

# BATHTUBS



Thoughtfully designed for ultimate comfort and manufactured for durability, whether it is an exquisitely (seamlessly) designed wellness tub for a luxurious pampering or an intimate bathtub for a comforting wind-me-down, we are sure you will find your favorite American Standard tub here.

## ULTIMATE COMFORT WITH THE WELLNESS SERIES

### TWIN PLUS SYSTEM

Both whirlpool jets and blowers work together to pump air simultaneously from the bottom and sides of the bathtub, providing the full benefits of a hydro massage.

### WHIRLPOOL SYSTEM

Air compression system creates a whirlpool effect throughout the tub, stimulating the body's own nervous and circulatory systems to improve nerve activation and blood movement.

### AIRPOOL SYSTEM

Airpool system creates a profusion of tiny air bubbles to increase oxygen content, resulting in a freshening effect that relaxes the skin and relieves stress.

### DRY JET MASSAGE SYSTEM

The system gently kneads the user's back and neck area to soothe aching and tired muscles.

### OZONE GENERATION

Ozone has been medically proven not only to make air cleaner but also to alleviate or suppress maladies such as infections and allergic reactions.

### HYGIENE

The wellness tub monitors the entire disinfection system to guarantee that germs do not remain after extended tub use, ensuring optimal user hygiene.

## CHROMATHERAPY

A lighting system that uses multi-coloured light wave reflections for a holistic approach to healing one's body and mind.

### WHITE

Increases calmness and rejuvenates one's body and mind

### RED

Excites, increases heartbeat and blood circulation. Creates new energy and strength

### GREEN

Cures anxiety, headaches and insomnia

### BLUE

Heightens awareness, intuition creativity and imagination

### ORANGE

Stimulates digestion and soothes cramps and contractions. Induces serenity, enthusiasm and joy

### YELLOW

Improves reflexes, aids digestion and reinforces nervous system. Enduces a sense of well-being, extroversion and awareness

### INDIGO

Decreases heartbeat and pressure

### PURPLE

Stimulates white blood cell production, spleen and bone development. Encourages spirituality, inspiration and imagination

WELLNESS TUBS



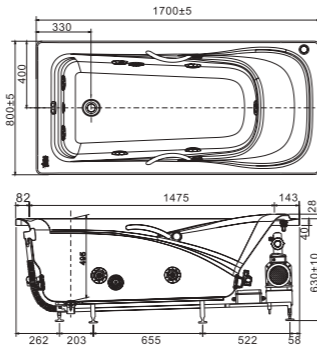
**Concept**  
Drop-In Tub  
(Whirlpool with Handles)

**BTAS6716-2050403C5**

L1700 x W800 x H640 mm

Acrylic with E-Fibre Reinforcement

- Ozone
- Chromatherapy

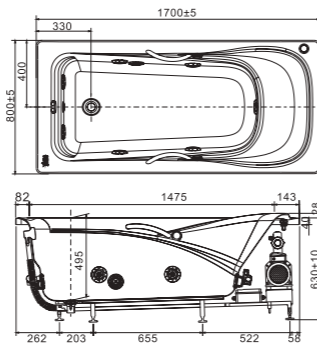


**Concept**  
Drop-In Tub (Whirlpool with Foot  
& Lumber Massage; with  
Handles)

**BTAS6716-2350403C5**

L1700 x W800 x H640 mm

Acrylic with E-Fibre Reinforcement



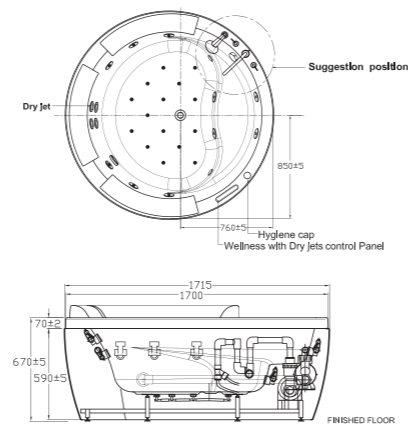
**IDS Round**  
Freestanding Tub

**B70214-6DAWD**

Ø1715 x H670 mm

Acrylic with E-Fibre Reinforcement

- Ozone
- Chromatherapy
- Dry Jet

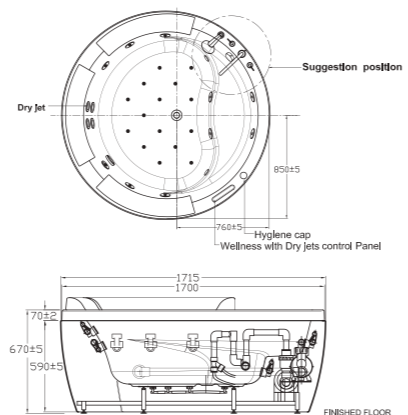


**IDS Round**  
Freestanding Tub (Whirlpool)

**B70211-6DAWD**

Ø1715 x H670 mm

Acrylic with E-Fibre Reinforcement



FREESTANDING TUBS

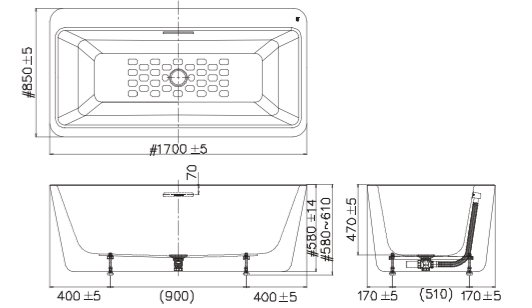


**Acacia Evolution**  
1.7M Acrylic Seamless  
Freestanding Tub

**BTAS6719-032AS00C5**

L1700 x W850 x H580 mm

Acrylic with E-Fibre Reinforcement

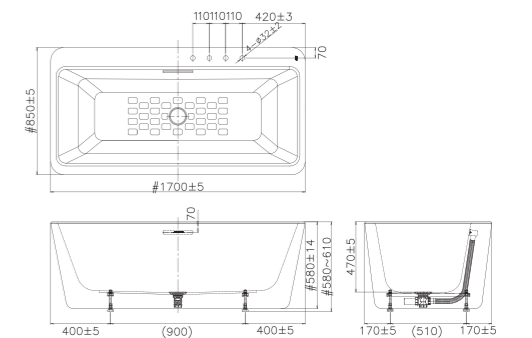


**Acacia Evolution**  
1.7M Acrylic Seamless  
Freestanding Tub (with Faucet  
Installation Holes)

**BTAS6719-632AS00C5**

L1700 x W850 x H580 mm

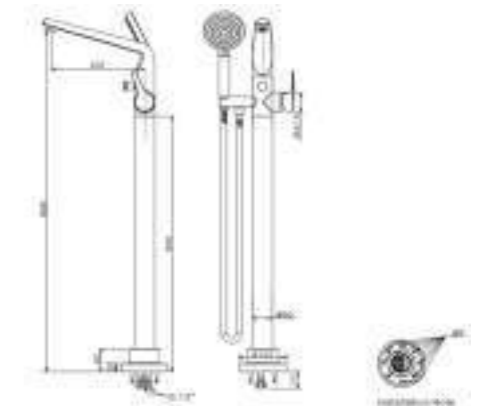
Acrylic with E-Fibre Reinforcement



**La Vita**  
Bath Filler Faucet

**A-0516-710**

5.5L/min for Shower  
7.8kg



DROP-IN TUBS

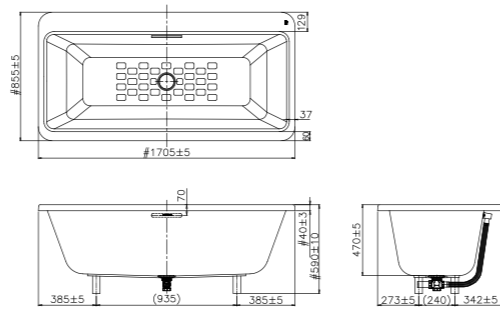


**Acacia Evolution**  
1.7M Acrylic Drop-In Tub

**BTAS6719-002AS00C4**

L1705 x W855 x H590 mm

Acrylic with E-Fibre Reinforcement

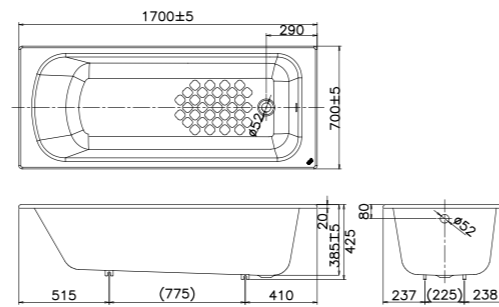


**Milano**  
1.7M Cast Iron Drop-In Tub

**BTAS2708-0520400C5**

L1700 x W700 x H425 mm

Scratch & Wear Resistant Cast Iron

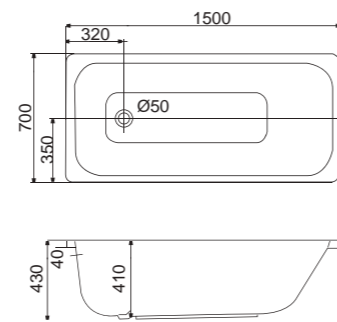


**New Codie**  
1.5M Acrylic Drop-In Tub

**BTAS6512-0520400C5**

L1500 x W700 x H430 mm

Acrylic with E-Fibre Reinforcement



Signature Fittings  
Heralding a New Era



A Reflection of Sense.  
An Expression of Style.

Crafted as an embodiment of American Standard, the Signature Collection incorporates all the brand's signature design elements - Frame, Pillow and Line.

A culmination of Frame and Pillow forms Superellipse, a geometric shape that is exclusive to this collection, revolving around the theme of soft minimalism.



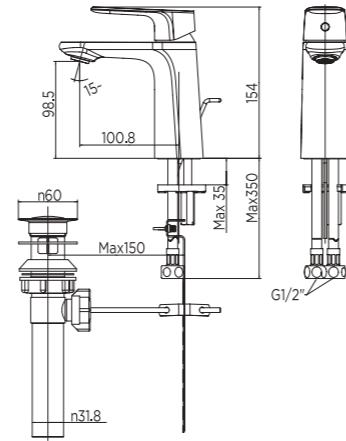
The Signature Collection with its sleek and stylish basin faucets have been hand-polished to achieve a sophisticated look and the inviting pillow curves. An unprecedented level of detailing in every fitting. Look no further for the best of design and style - Signature Collection is here for good.

BASIN FAUCETS



Basin Mixer with Pop-Up Drain

**FFAS1701-1015LOBCO**

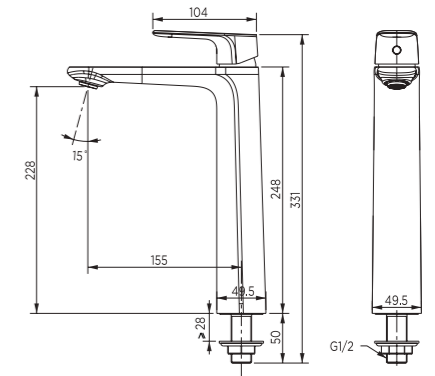


BASIN FAUCETS



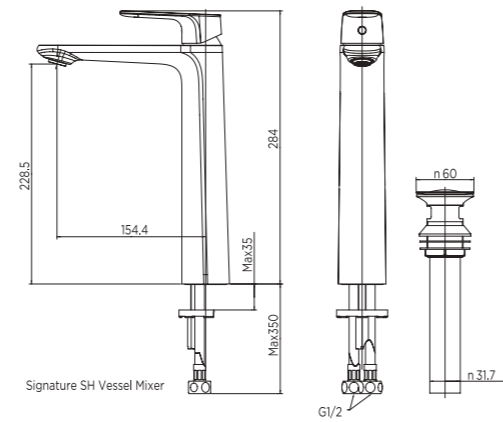
Extended Basin Mono

**FFAS1707-1015LOBTO**



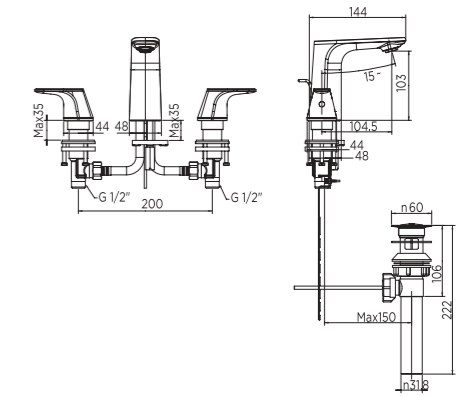
Extended Basin Mixer with Pop-Up Drain

**FFAS1702-1015LOBCO**



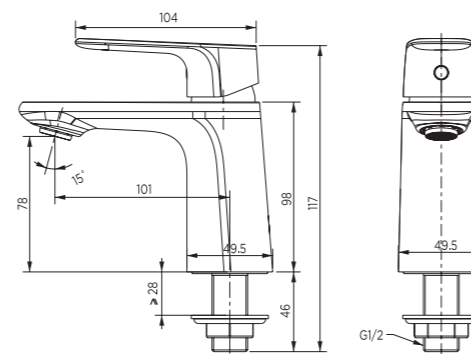
3-hole Basin Mixer with Pop-Up Drain

**FFAS1703-1015LOBCO**



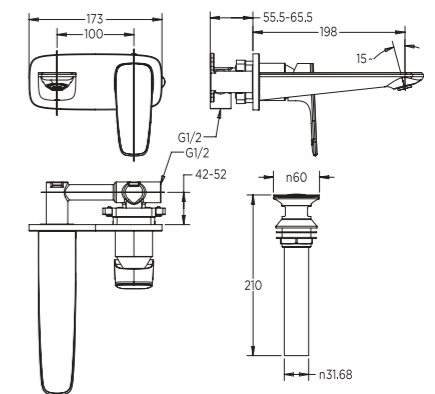
Basin Mono

**FFAS1706-1015LOBTO**



Wall Mount Basin Mixer with Pop-Up Drain

**FFAS1704-1015LOBCO**



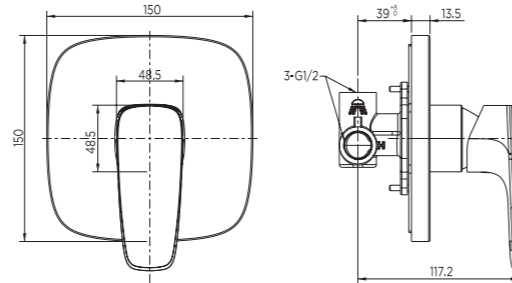
BATH & SHOWERS

BATH & SHOWERS



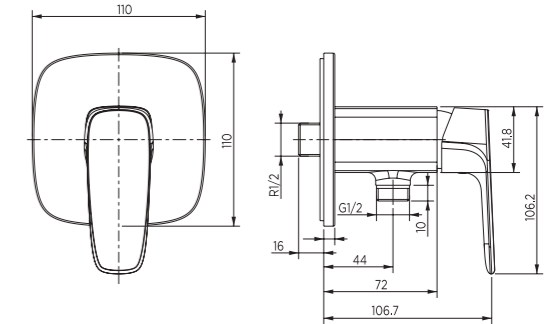
Concealed Shower Mixer

**FFAS1722-709500BCO**



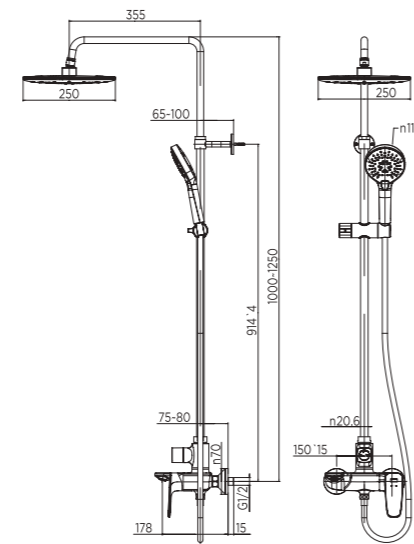
Exposed Shower Mono

**FFAS1726-701500BTO**



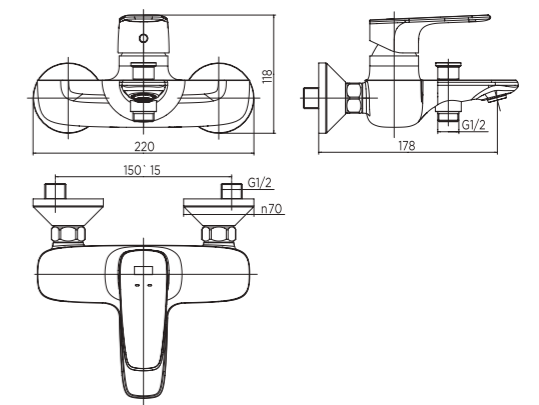
Exposed bath & Shower Mixer with Rainshower Kit

**FFAS1772-701500BCO**



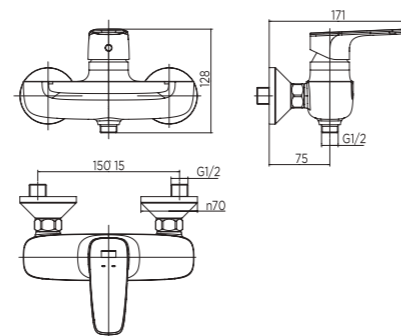
Exposed Bath & Shower Mixer

**FFAS1711-609500BCO**



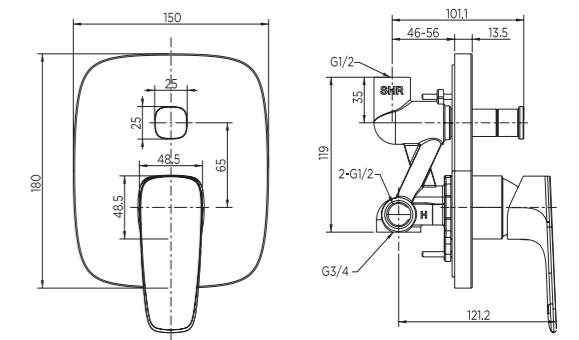
Exposed Shower Mixer

**FFAS1712-709500BCO**



Concealed Bath & Shower Mixer

**FFAS1721-609500BCO**



# Acacia Evolution The Best of Design & Technology



**Acacia Evolution**  
One-Piece Toilet

**CL20075**



**Acacia Evolution**  
Basin Mixer

**FFAS1302-102500BF0**



**Acacia Evolution**  
Vessel Wash Basin

**CL0509I**

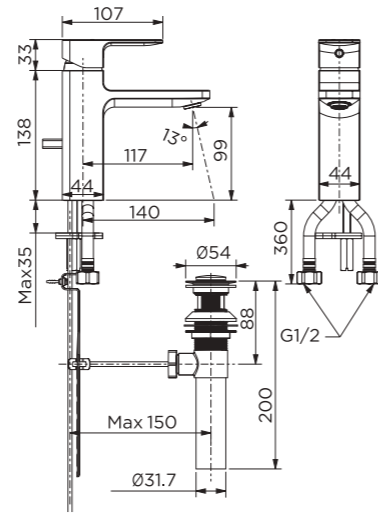
For the urban trendsetter who strives for modern and innovative lifestyle. The modern design of Acacia Evolution™ features geometric shapes and the latest technology that delivers a powerful flushing with minimum water usage. In a time where technology defines the way we interact, work and live, Acacia Evolution™ is designed to meet modern lifestyle needs. Where technology is deeply embedded into design, delivering both form and function.

BASIN FAUCETS



**Acacia Evolution**  
Basin Mixer with Pop-Up Drain

**FFAS1301-101500BFO**

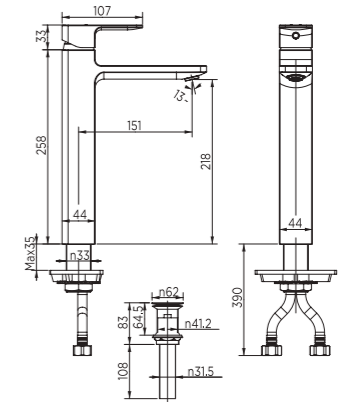


BASIN FAUCETS



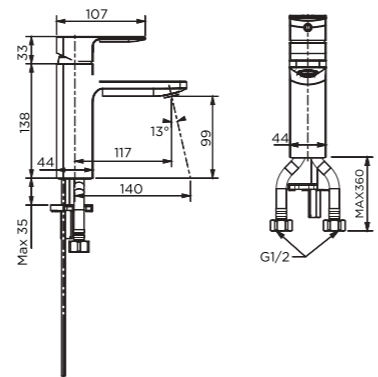
**Acacia Evolution**  
Extended Basin Mixer  
With Pop-Up Drain

**FFAS1302-101500BFO**



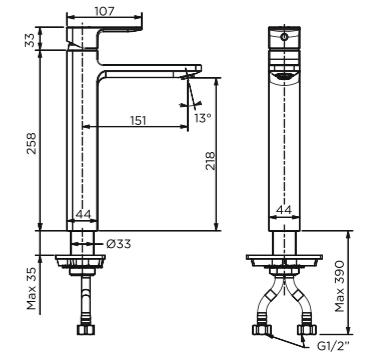
**Acacia Evolution**  
Basin Mixer

**FFAS1301-102500BFO**



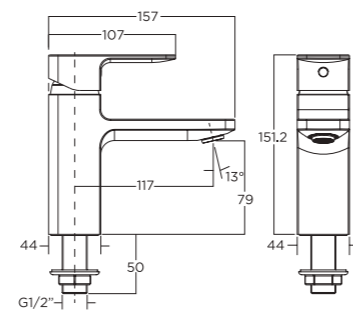
**Acacia Evolution**  
Extended Basin Mixer

**FFAS1302-102500BFO**



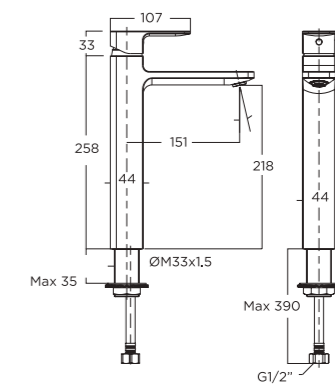
**Acacia Evolution**  
Basin Mono

**FFAS1306-101500BFO**



**Acacia Evolution**  
Extended Basin Mono

**FFAS1308-101500BFO**



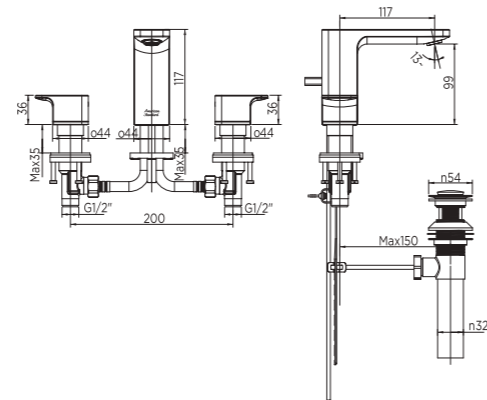
BASIN FAUCETS

BASIN FAUCETS



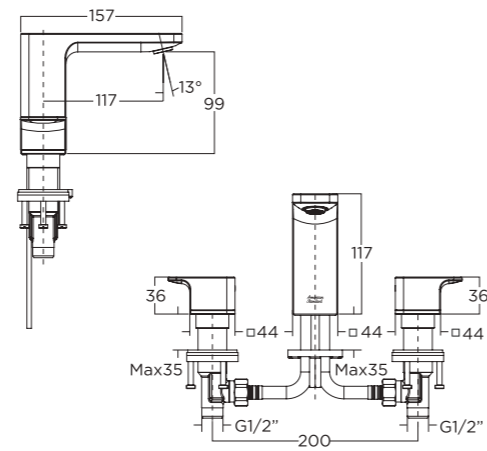
**Acacia Evolution**  
3-Hole Basin Mixer  
with Pop-Up Drain

**FFAS1303-101500BFO**



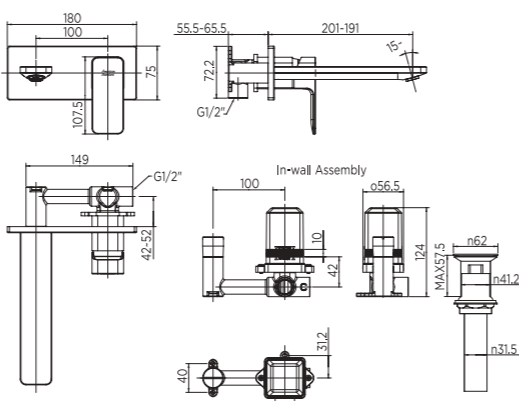
**Acacia Evolution**  
3-Hole Basin Mixer

**FFAS1303-102500BFO**



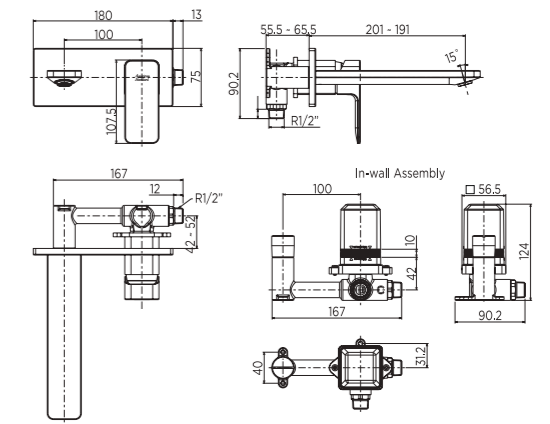
**Acacia Evolution**  
Wall Mount Basin Mixer  
with Pop-Up Drain

**FFAS1304-101500BFO**



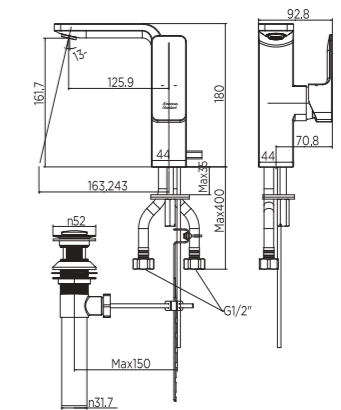
**Acacia Evolution**  
Wall Mount Basin Mixer

**FFAS1304-102500BFO**



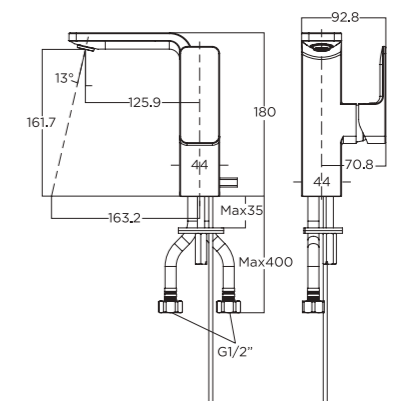
**Acacia Evolution**  
High Spout Basin Mixer  
with Pop-Up Drain

**FFAS1305-101500BFO**



**Acacia Evolution**  
High Spout Basin Mixer

**FFAS1305-102500BFO**



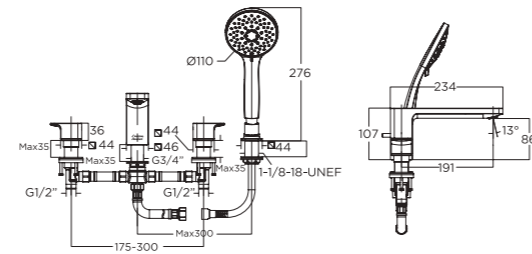
BATH & SHOWERS

BATH & SHOWERS



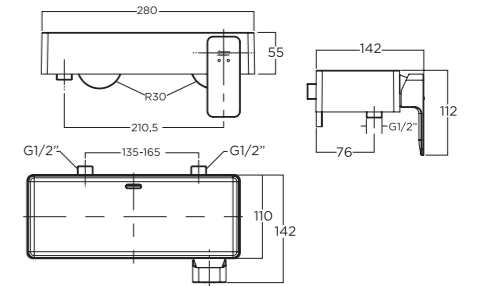
**Acacia Evolution**  
Deck Mount Bath & Shower Mixer  
with Shower Kit

**FFAS1300-601500BFO**



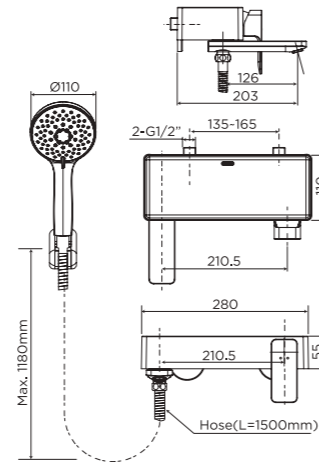
**Acacia Evolution**  
Exposed Shower Mixer

**FFAS1312-702500BFO**



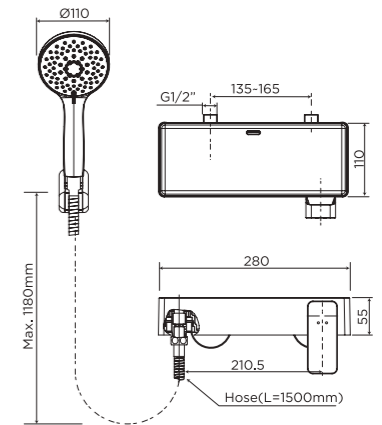
**Acacia Evolution**  
Exposed Bath & Shower Mixer  
with Shower Kit

**FFAS1311-601500BFO**



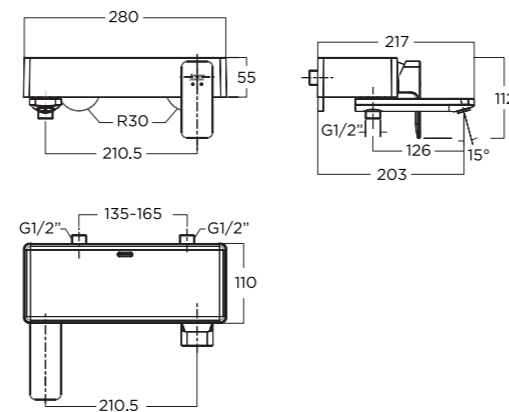
**Acacia Evolution**  
Exposed Shower Mixer  
with Shower Kit

**FFAS1312-701500BFO**



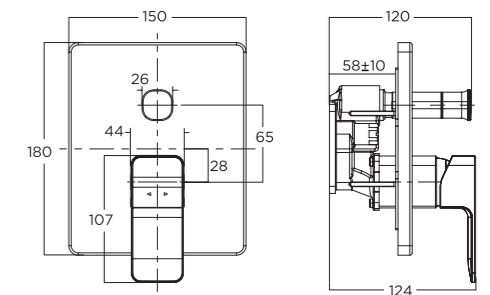
**Acacia Evolution**  
Exposed Bath & Shower Mixer

**FFAS1311-602500BFO**



**Acacia Evolution**  
Concealed Bath & Shower Mixer

**FFAS1321-608500BFO**



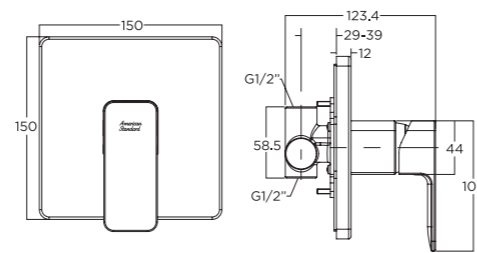
BATH & SHOWERS

ACCESSORIES



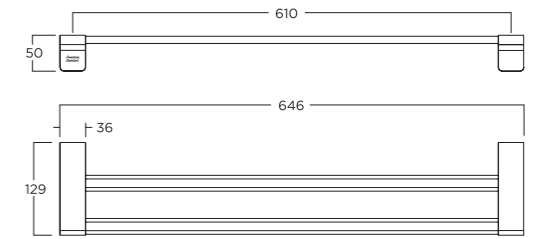
**Acacia Evolution**  
Concealed Shower Mixer

**FFAS1322-708500BFO**



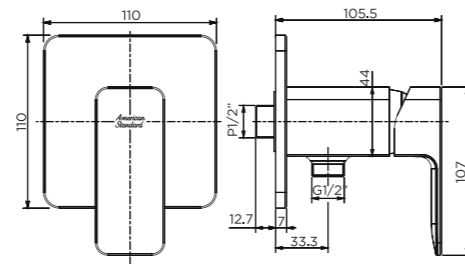
**Acacia Evolution**  
Double Towel Bar

**FFAS1394-908500BFO**



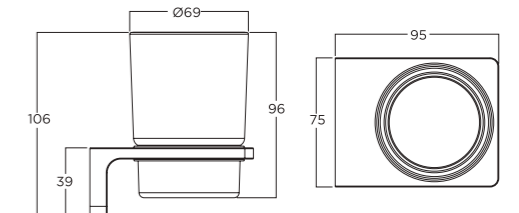
**Acacia Evolution**  
Exposed Shower Mono

**FFAS1326-701500BFO**



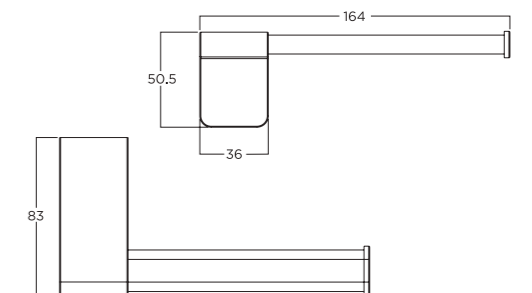
**Acacia Evolution**  
Glass Holder

**FFAS1384-908500BFO**



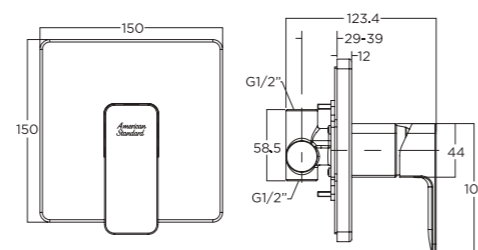
**Acacia Evolution**  
Paper Holder

**FFAS1387-908500BFO**



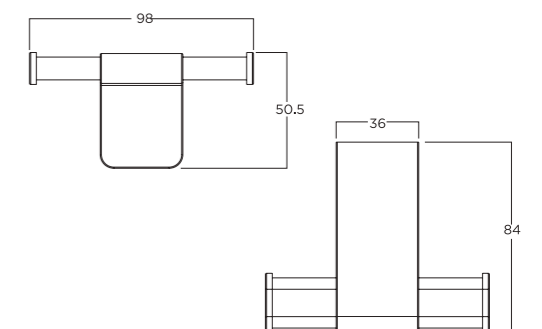
**Acacia Evolution**  
Concealed Shower Mono

**FFAS1336-709500BFO**



**Acacia Evolution**  
Robe Hook

**FFAS1381-908500BFO**



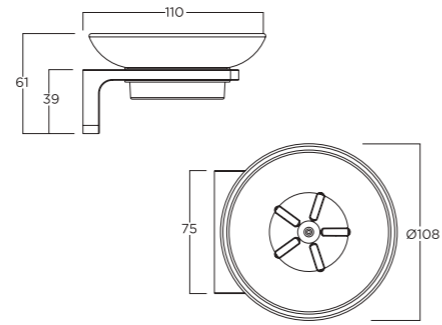
ACCESSORIES

ACCESSORIES



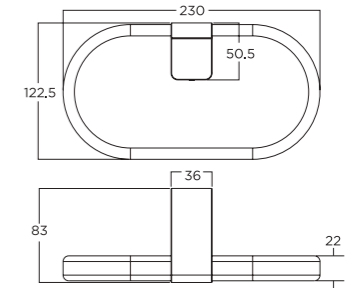
**Acacia Evolution**  
Soap Dish

**FFAS1382-908500BFO**



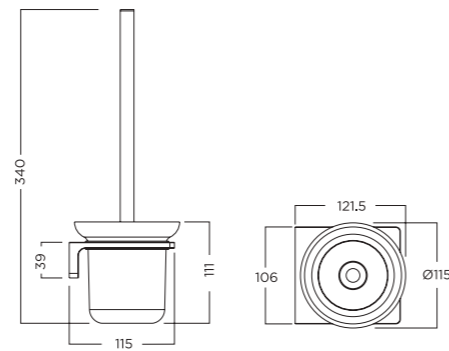
**Acacia Evolution**  
Towel Ring

**FFAS1390-908500BFO**



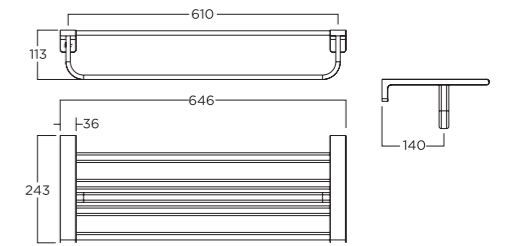
**Acacia Evolution**  
Toilet Brush

**FFAS1386-908500BFO**



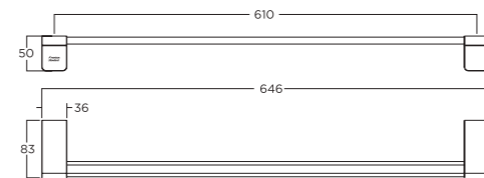
**Acacia Evolution**  
Towel Shelf

**FFAS1395-908500BFO**



**Acacia Evolution**  
Towel Bar

**FFAS1393-908500BFO**



# Neo Modern Convenience & Smart Functionality



**Neo Modern**  
Close Coupled Toilet

**CL26305**



**Neo Modern**  
Extended Basin Mixer

**FFAS0703-102500BFO**



**Neo Modern**  
Vessel Wash Basin

**CCASF633**

For those who value practical comfort and clever functionality with a modern look. Neo Modern™ combines convenience and smart functionality to meet evolving needs of modern living. The collection explores the tangible, ergonomic details that elevate your experience. And the simplicity of this collection allows you to pair it easily with any bathroom styles.





# Milano Italian Design with Comfort



**Milano**  
One-Piece Toilet

**CL20415**



**Milano**  
Extended Basin Mixer

**FFAS0902-102501BFO**



**Milano**  
Vessel Wash Basin

**CCASF650**

A collection that encapsulates the essence of Milan's elegant designs. The precise and detailed architecture of this ancient city is deconstructed to convey sophistication and offer comfort through intrinsic details and soft curvatures of contemporary Milano.

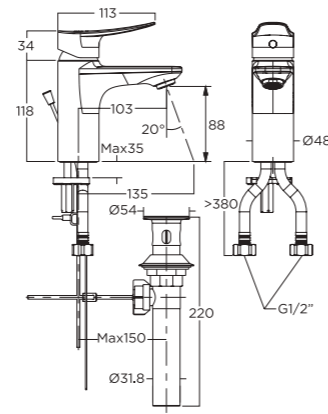
BASIN FAUCETS

BASIN FAUCETS



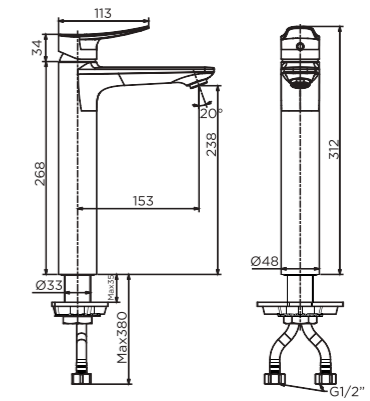
**Milano**  
Basin Mixer with Pop-up Drain

**FFAS0901-102500BFO**



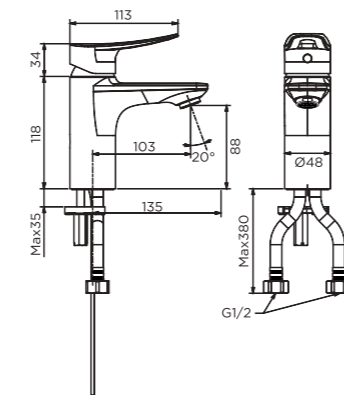
**Milano**  
Extended Basin Mixer

**FFAS0902-102501BFO**



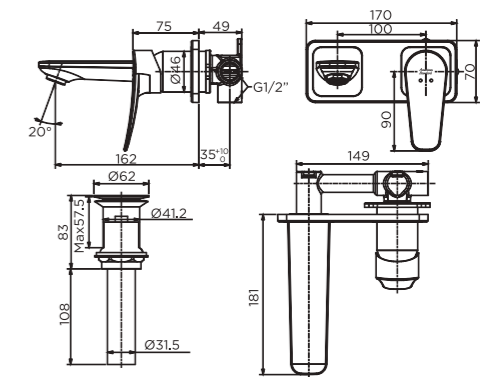
**Milano**  
Basin Mixer

**FFAS0901-102501BFO**



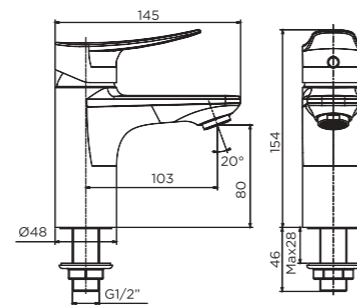
**Milano**  
Wall Mount Basin Mixer with Pop-up Drain

**FFAS0904-102500BFO**



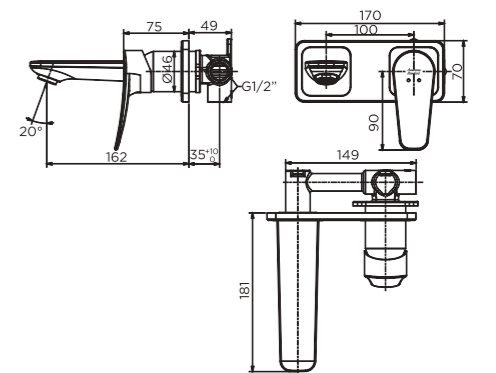
**Milano**  
Basin Mono

**FFAS0906-102500BFO**



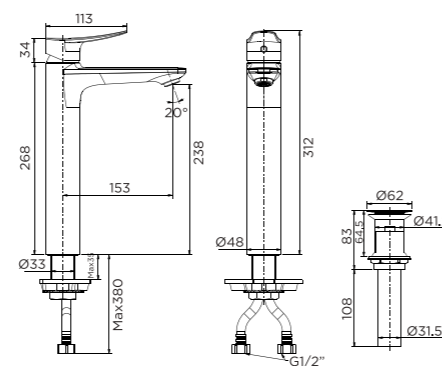
**Milano**  
Wall Mount Basin Mixer

**FFAS0904-102501BFO**



**Milano**  
Extended Basin Mixer with Pop-up Drain

**FFAS0902-102500BFO**



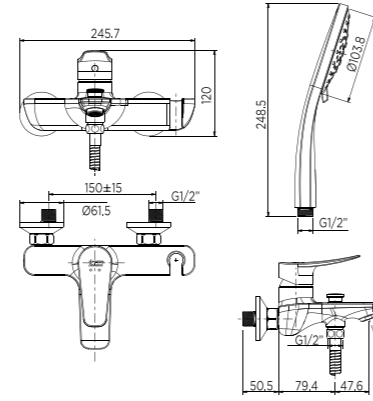
BATH & SHOWERS

BATH & SHOWERS



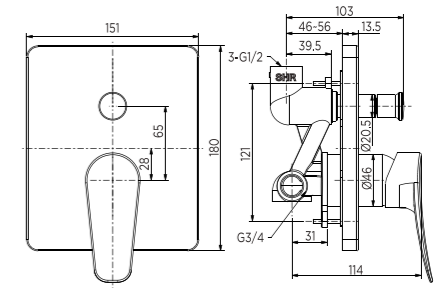
**Milano**  
Exposed Bath & Shower Mixer  
with Shower Kit

**FFAS0911-602500BFO**



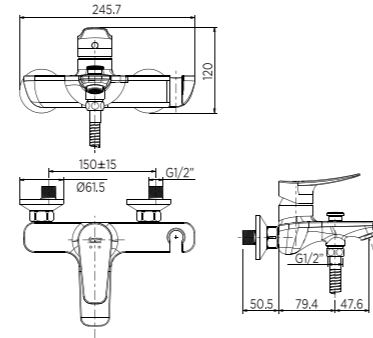
**Milano**  
Concealed Bath & Shower Mixer

**FFAS0921-602500BFO**



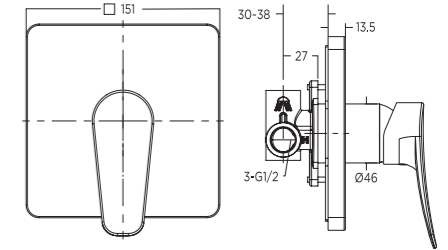
**Milano**  
Exposed Bath & Shower Mixer

**FFAS0911-60251BFO**



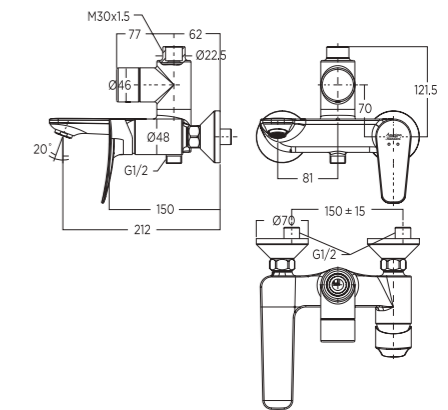
**Milano**  
Concealed Shower Mixer

**FFAS0922-702500BFO**



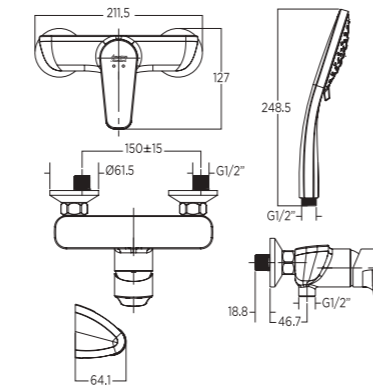
**Milano**  
Exposed Bath & Shower Mixer  
for Shower System

**FFAS0972-702500BFO**



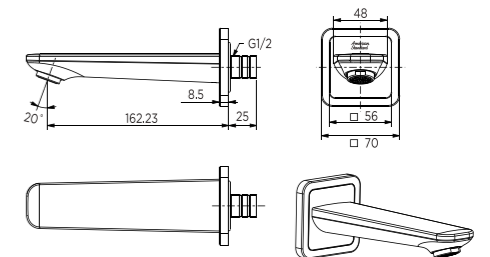
**Milano**  
Exposed Shower Mixer  
with Shower Kit

**FFAS0912-702500BFO**



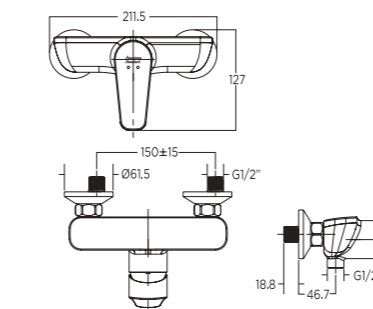
**Milano**  
Wall Mount Bath Spout

**FFAS9714-000500BFO**



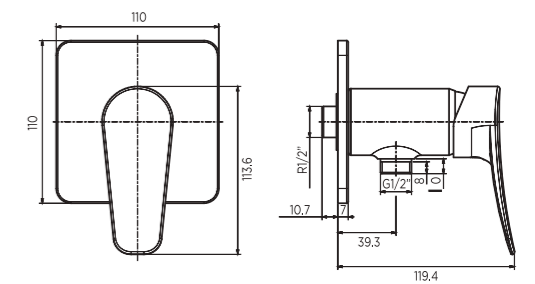
**Milano**  
Exposed Shower Mixer

**FFAS0912-702501BFO**



**Milano**  
Exposed Shower Mono

**FFAS0926-702500BFO**



Contemporary

# Concept Nuovo™ Harmonious Mix & Match



**Concept D-Shape**  
Close-Coupled Toilet

**CL27055**



**Concept Round**  
Basin Mixer

**FFAS1401-101501BFO**



**Concept D-Shape**  
Semi Pedestal  
Wash Basin

**CL05531**

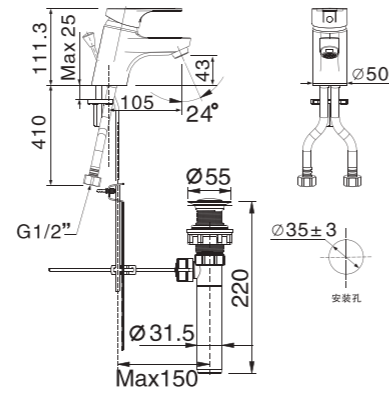
A trendy and flexible collection that embraces the diversities in design and space. Designed to be adaptable, functional and modern, Concept Nuovo™ empowers you to boldly configure any bathroom just the way you want it. Be it round or square, this versatility translates into a seamless and fuss-free solution, delivering the ultimate promise in creating an architectural bathroom interior for all.

BASIN FAUCETS



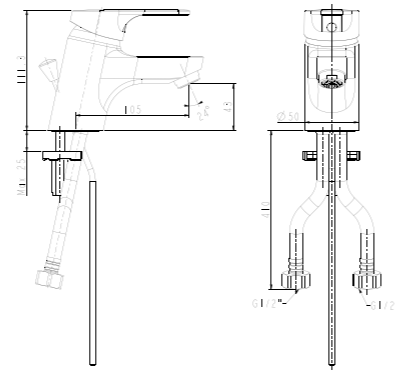
**Concept Round**  
Basin Mixer with Pop-Up Drain

**FFAS1401-101500BCO**



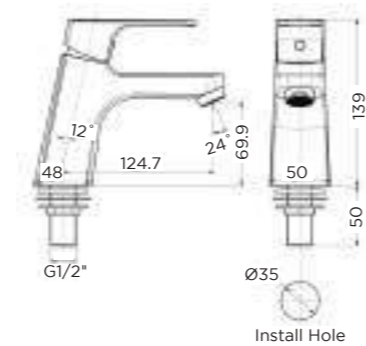
**Concept Round**  
Basin Mixer

**FFAS1401-101501BF0**



**Concept Square**  
Basin Mono

**FFAS0406-101500BF0**

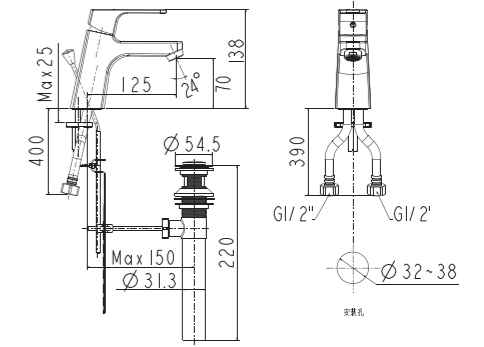


BASIN FAUCETS



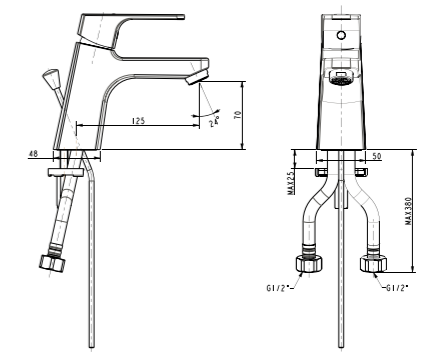
**Concept Square**  
Basin Mixer with Pop-Up Drain

**FFAS0401-101500BCO**



**Concept Square**  
Basin Mixer

**FFAS0401-101501BF0**

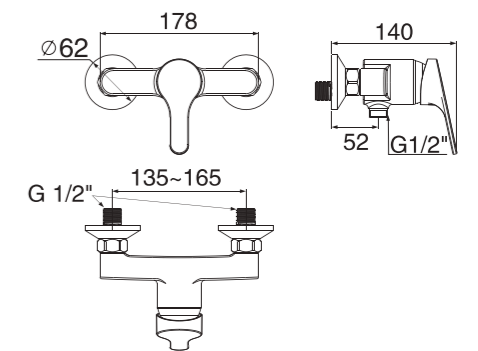


BATH & SHOWERS



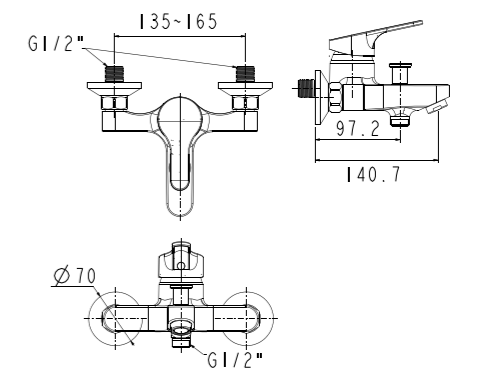
**Concept Round**  
Exposed Shower Mixer

**FFAS1412-709500BCO**



**Concept Round**  
Exposed Bath & Shower Mixer

**FFAS1411-609500BCO**





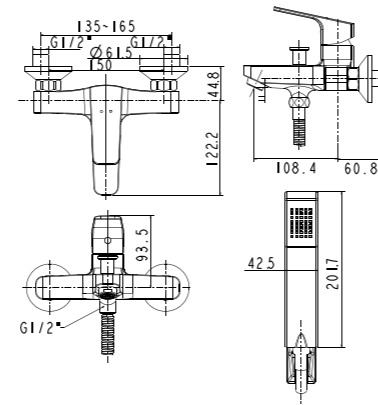
BATH & SHOWERS

ACCESSORIES



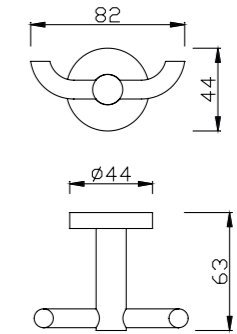
**Concept Square**  
Exposed Bath & Shower Mixer  
with Shower Kit

**FFAS0411-601500BC0**



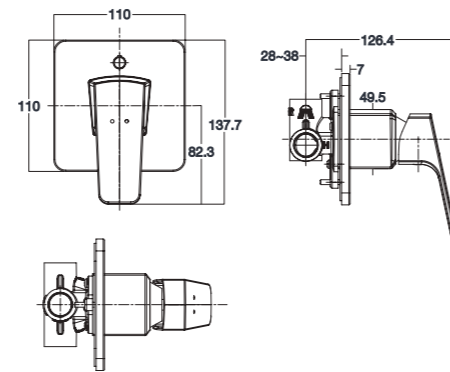
**Concept Round**  
Robe Hook

**FFAS1481-908500BF0**



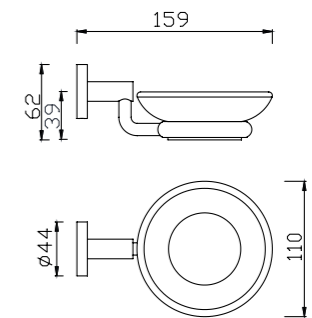
**Concept Square**  
Concealed Shower Mixer

**FFAS0422-709500BC0**



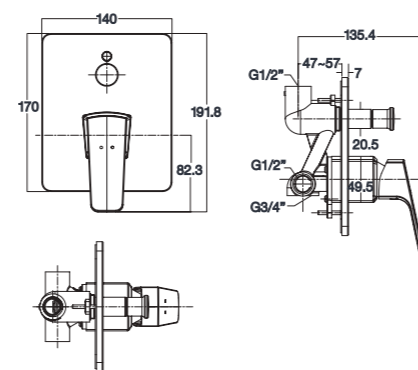
**Concept Round**  
Soap Dish

**FFAS1482-908500BF0**



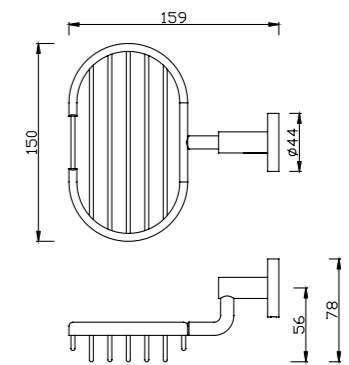
**Concept Square**  
Concealed Bath & Shower Mixer

**FFAS0421-609500BC0**



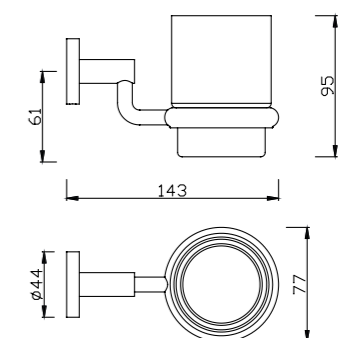
**Concept Round**  
Grille Soap Dish

**FFAS1483-908500BF0**



**Concept Round**  
Glass Holder

**FFAS1484-908500BF0**

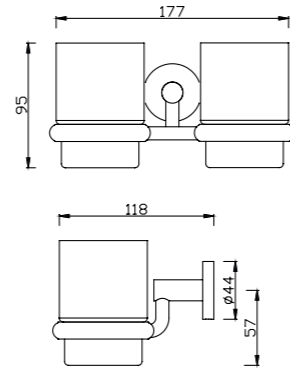


ACCESSORIES



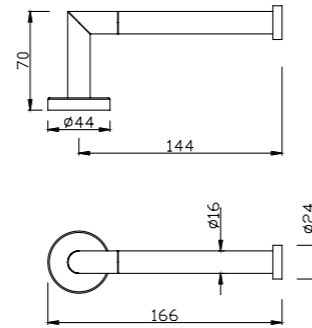
**Concept Round**  
Double Glass Holder

**FFAS1485-908500BF0**



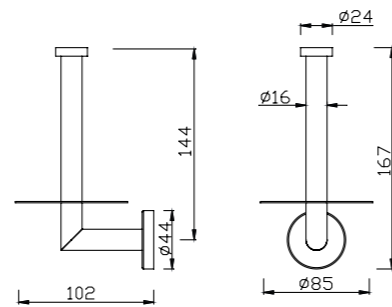
**Concept Round**  
Paper Holder

**FFAS1487-908500BF0**



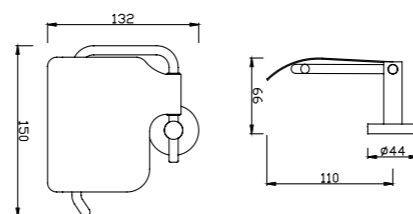
**Concept Round**  
Vertical Paper Holder

**FFAS1488-908500BF0**



**Concept Round**  
Paper Holder with Cover

**FFAS1489-908500BF0**

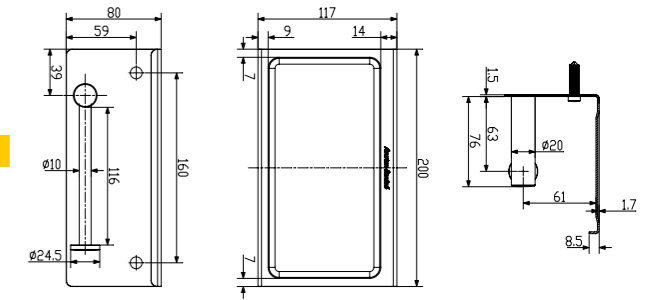


ACCESSORIES



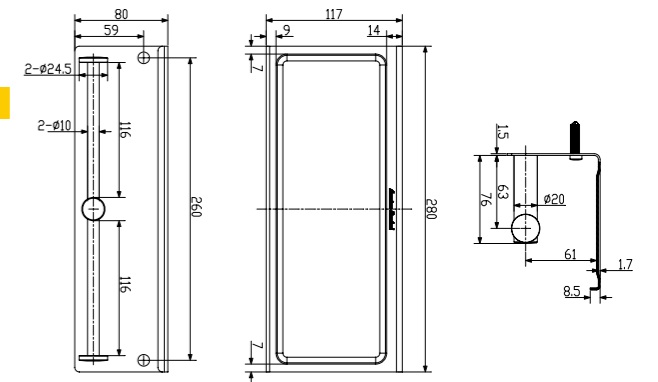
**Concept Round**  
Single Tissue Holder  
with Shelf

**FFAS1498-908500BC0**



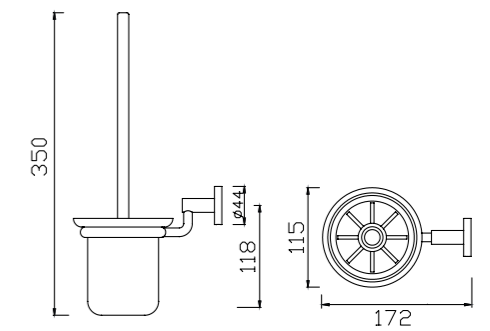
**Concept Round**  
Double Tissue Holder  
with Shelf

**FFAS1499-908500BC0**



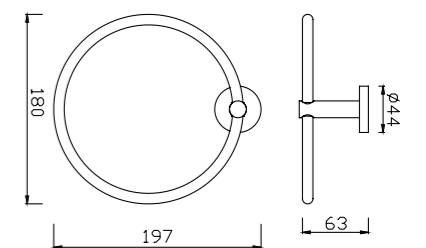
**Concept Round**  
Toilet Brush

**FFAS1486-908500BF0**



**Concept Round**  
Towel Ring

**FFAS1490-908500BF0**

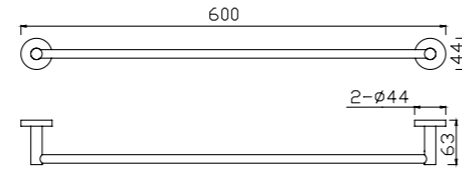


ACCESSORIES



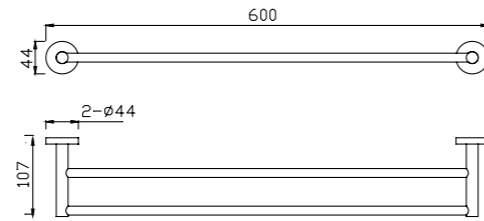
**Concept Round**  
Towel Bar

**FFAS1493-908500BFO**



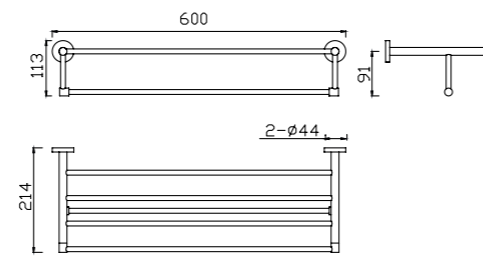
**Concept Round**  
Double Towel Bar

**FFAS1494-908500BFO**



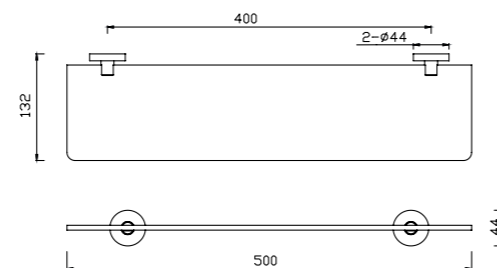
**Concept Round**  
Towel Shelf

**FFAS1495-908500BFO**



**Concept Round**  
Glass Shelf

**FFAS1491-908500BFO**

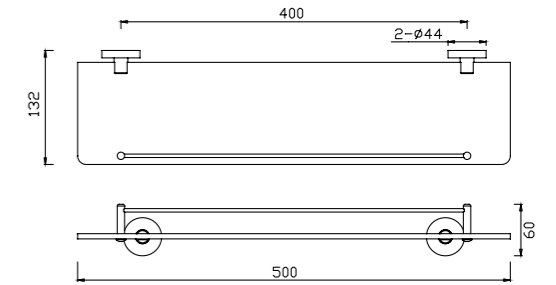


ACCESSORIES



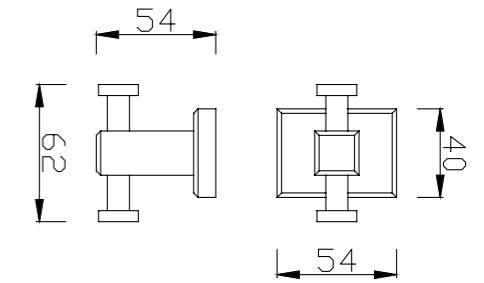
**Concept Round**  
Glass Shelf with Guard

**FFAS1492-908500BFO**



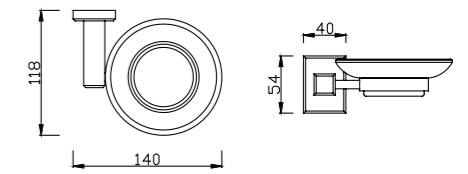
**Concept Square**  
Robe Hook

**FFAS0481-908500BFO**



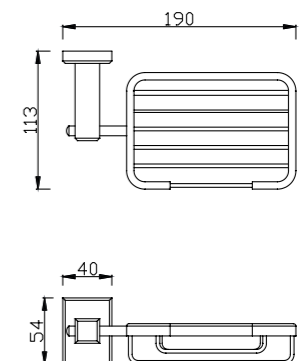
**Concept Square**  
Soap Dish

**FFAS0482-908500BFO**



**Concept Square**  
Grille Soap Dish

**FFAS0483-908500BFO**



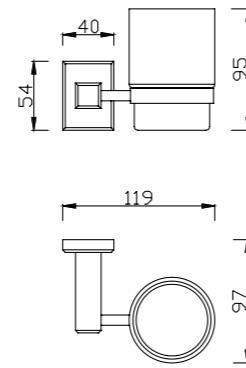
ACCESSORIES

ACCESSORIES



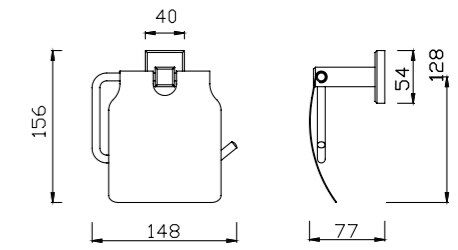
**Concept Square**  
Glass Holder

**FFAS0484-908500BFO**



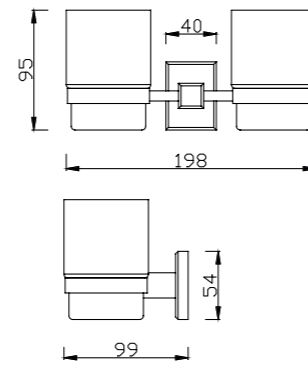
**Concept Square**  
Paper Holder with Cover

**FFAS0489-908500BFO**



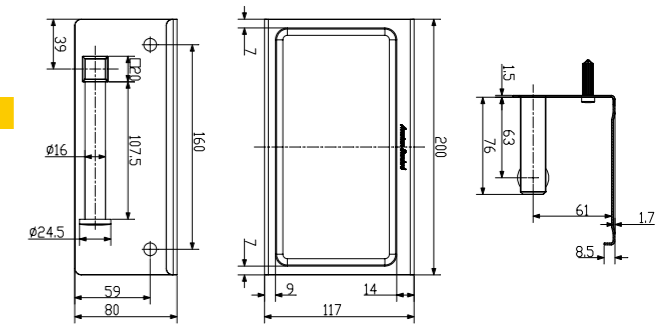
**Concept Square**  
Double Glass Holders

**FFAS0485-908500BFO**



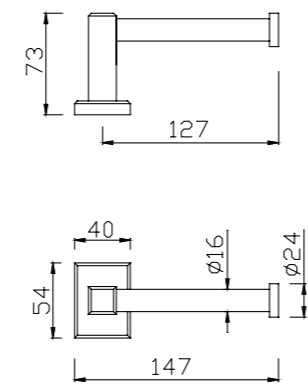
**Concept Square**  
Single Tissue Holder with Shelf

**FFAS0498-908500BCO**



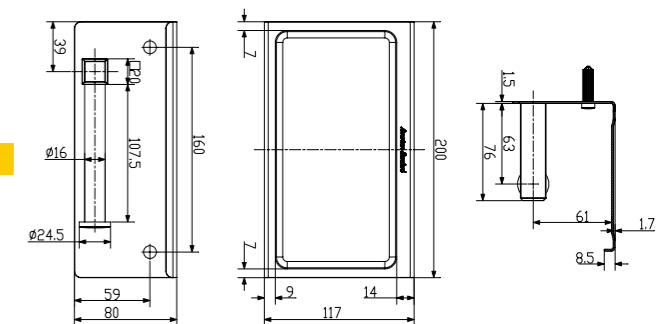
**Concept Square**  
Paper Holder

**FFAS0487-908500BFO**



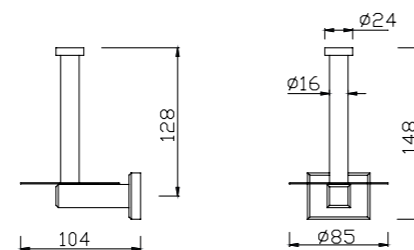
**Concept Square**  
Double Tissue Holder with Shelf

**FFAS0499-908500BCO**



**Concept Square**  
Vertical Paper Holder

**FFAS0488-908500BFO**

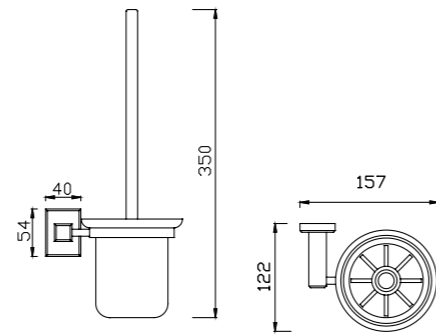


ACCESSORIES



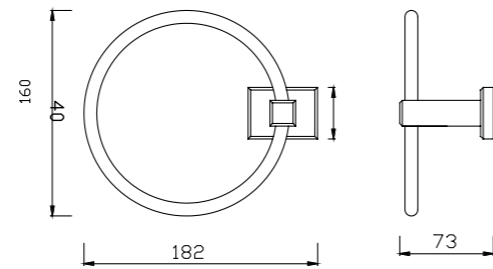
**Concept Square**  
Toilet Brush

**FFAS0486-908500BFO**



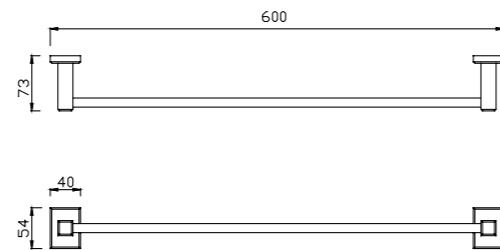
**Concept Square**  
Towel Ring

**FFAS0490-908500BFO**



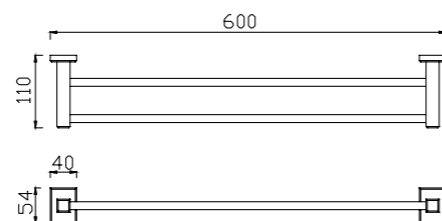
**Concept Square**  
Towel Bar

**FFAS0493-908500BFO**



**Concept Square**  
Double Towel Bar

**FFAS0494-908500BFO**

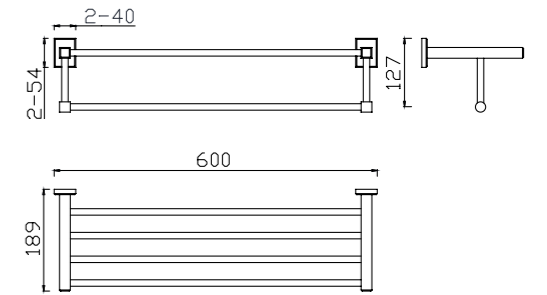


ACCESSORIES



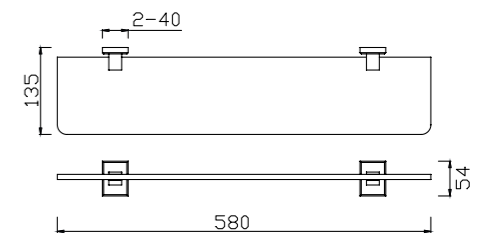
**Concept Square**  
Towel Shelf

**FFAS0495-908500BFO**



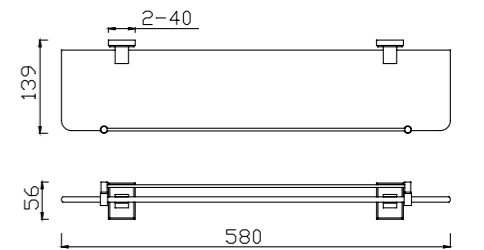
**Concept Square**  
Glass Shelf

**FFAS0491-908500BFO**



**Concept Square**  
Glass Shelf with Guard

**FFAS0492-908500BFO**



# Compact Codie Space-Saving Collection



**Compact Codie**  
Close Coupled Toilet

**CL24075**



**Codie (Simplica)**  
Basin Mixer

**FFASB201-101501BFO**



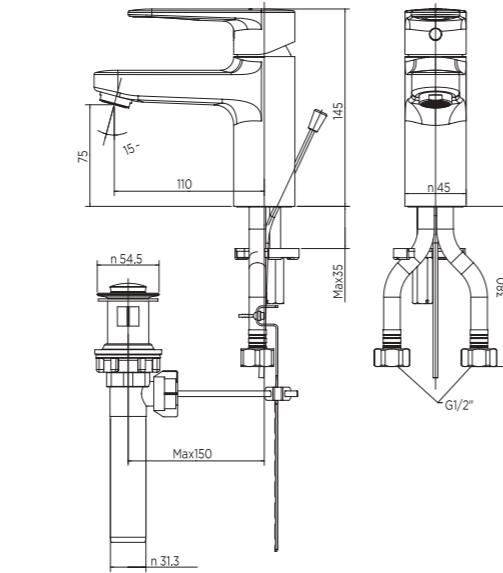
Size isn't everything, but bathrooms are getting smaller. Designed as a space saving solution, Compact Codie creates more out of less even in the smallest of space by integrating practical and streamlined attributes, so even a bathtub can fit in for some me-time space.

BASIN FAUCETS



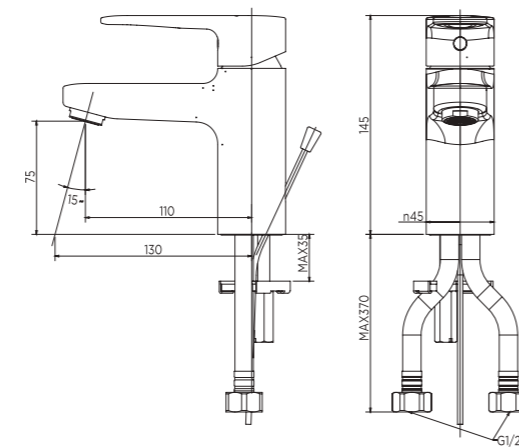
**Codie (Simplica)**  
Basin Mixer with Pop-up Drain

**FFASB201-101500BFO**



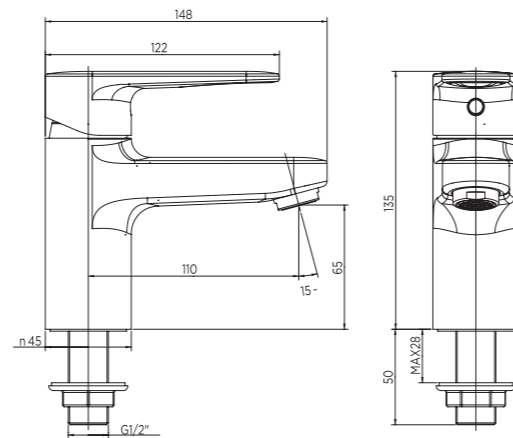
**Codie (Simplica)**  
Basin Mixer

**FFASB201-101501BFO**



**Codie (Simplica)**  
Basin Mono

**FFASB206-101500BFO**

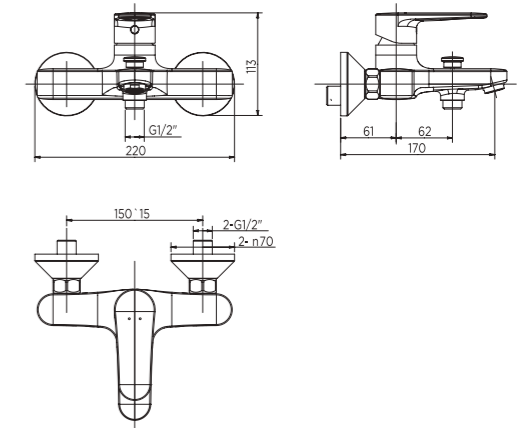


BATH & SHOWERS



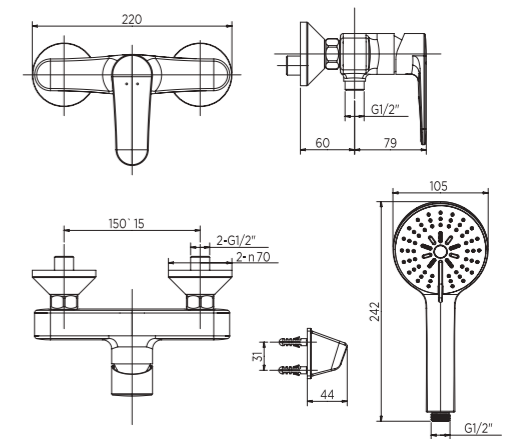
**Codie (Simplica)**  
Exposed Bath & Shower Mixer

**FFASB211-601501BFO**



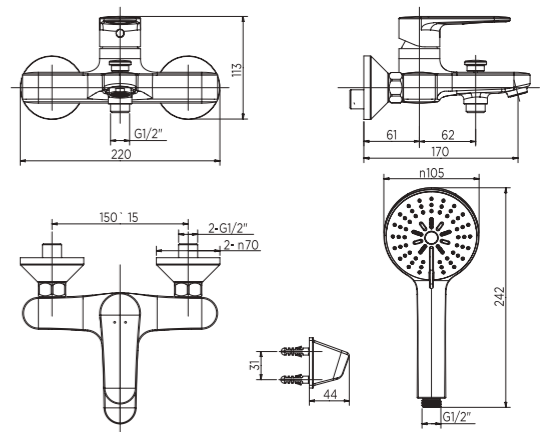
**Codie (Simplica)**  
Exposed Shower Mixer  
with Shower Kit

**FFASB212-701500BFO**



**Codie (Simplica)**  
Exposed Bath & Shower Mixer  
with Shower Kit

**FFASB211-601500BFO**



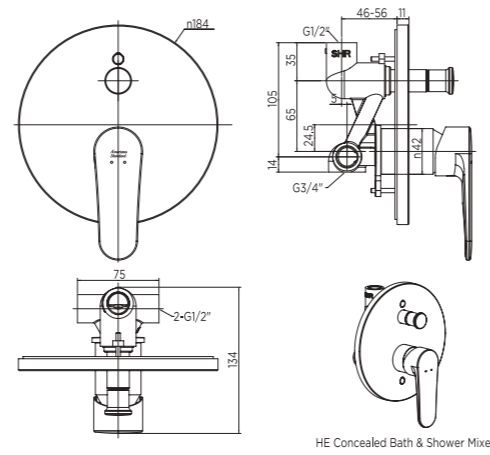
BATH & SHOWERS

BATH & SHOWERS



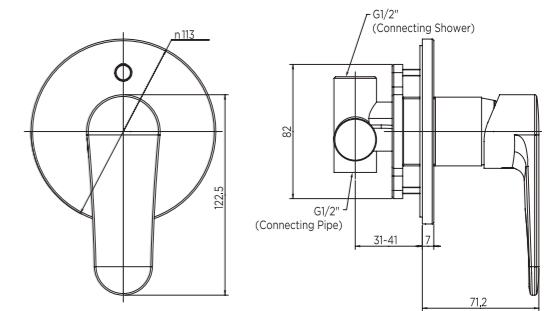
**Codie (Simplica)**  
Concealed Bath & Shower Mixer

**FFASB221-609500BFO**



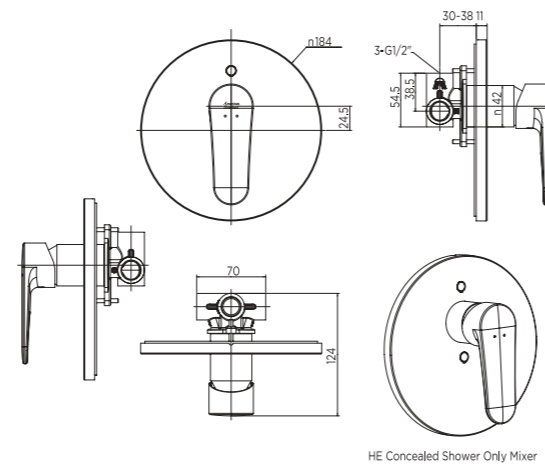
**Codie (Simplica)**  
Concealed Shower Mono

**FFASB236-709500BFO**



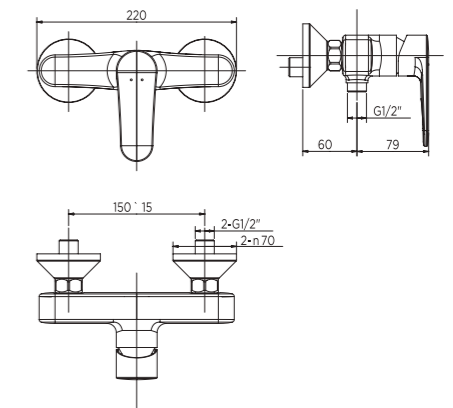
**Codie (Simplica)**  
Concealed Shower Mixer

**FFASB222-709500BFO**



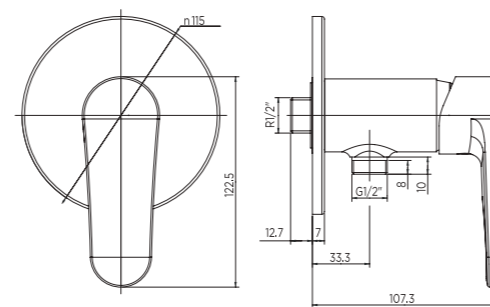
**Codie (Simplica)**  
Exposed Shower Mixer

**FFASB212-701501BFO**



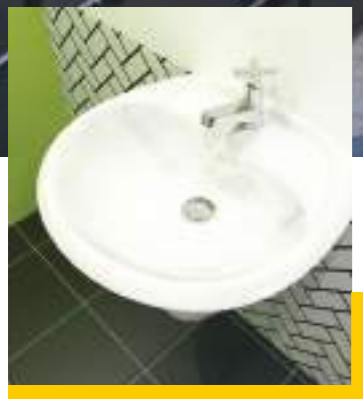
**Codie (Simplica)**  
Exposed Shower Mono

**FFASB226-701500BFO**



Contemporary

# Winston™ Basic Can be Fun



**Winston**  
Pillar Tap  
(Cross Handle)

**FFAST701-101500BF0**



**Winston**  
Semi Pedestal  
Wash Basin

**CL0979I**

Refer to pages 29, 53 & 55 for icon descriptors.

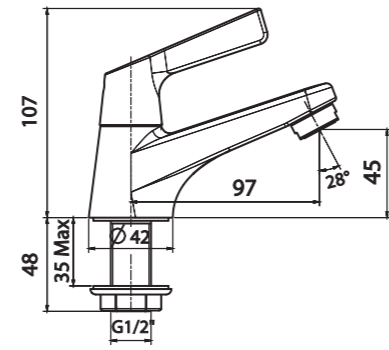
A new contemporary hip is in town. New yet sensible, straightforward yet vibrant. Winston mimics silhouettes of crosses and straight lines into practical novelty. Perfect for the modest family looking for that extra bit of trendy fun in everyday bathroom living.

BASIN FAUCETS



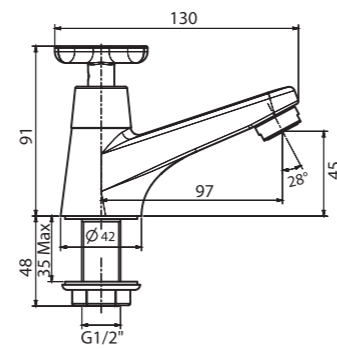
**Winston**  
Pillar Tap (Lever Handle)

**FFAST601-101500BF0**



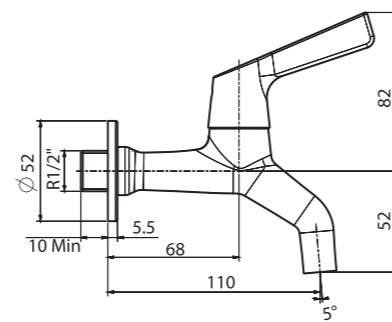
**Winston**  
Pillar Tap (Cross Handle)

**FFAST701-101500BF0**



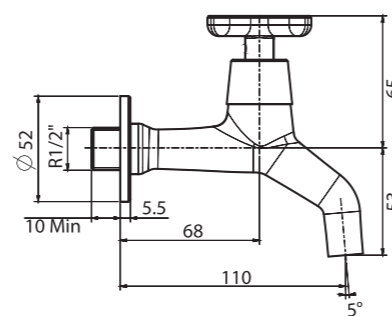
**Winston**  
Wall Tap (Lever Handle)

**FFAST602-000500BF0**



**Winston**  
Wall Tap (Cross Handle)

**FFAST702-000500BF0**

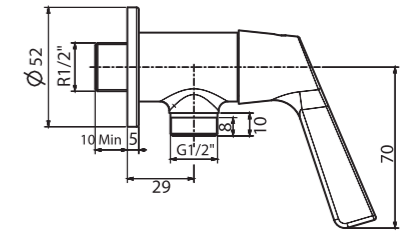


BATH & SHOWERS



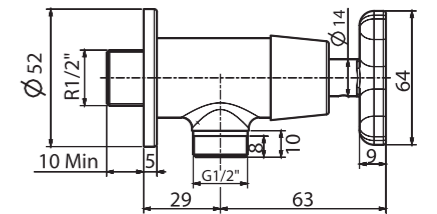
**Winston**  
Exposed Shower Mono  
(Lever Handle)

**FFAST604-701500BF0**



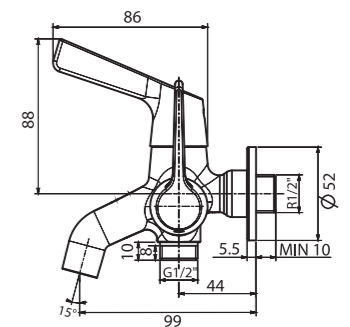
**Winston**  
Exposed Shower Mono  
(Cross Handle)

**FFAST704-701500BF0**



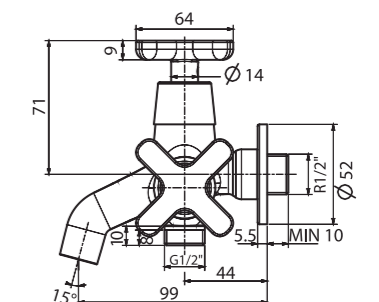
**Winston**  
Exposed Bath & Shower Mono  
(Lever Handle)

**FFAST603-601500BF0**



**Winston**  
Exposed Bath & Shower Mono  
(Cross Handle)

**FFAST703-601500BF0**

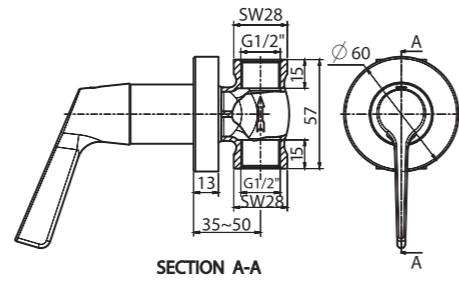


BATH & SHOWERS



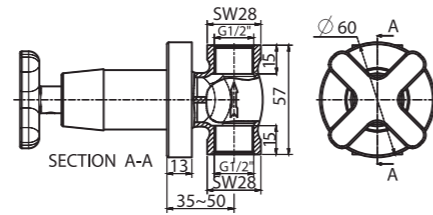
**Winston**  
Concealed Shower Mono  
(Lever Handle)

**FFAST605-709500BF0**



**Winston**  
Concealed Shower Mono  
(Cross Handle)

**FFAST705-709500BF0**



EasyFLO™  
Faucet and Fittings  
Collection  
Just PUSH!

*American  
Standard*

# EasyFLO™. Just PUSH!

Not much has changed since the invention of the faucet but things are about to change - for the better. EasyFLO™ Faucet and Fittings Collection takes a fresh approach to how we use and interact with a faucet. With a simple push of a button, we can turn the water on and off. It's almost too good to be true for everyone in the family. Now that's just fun-tastic!



Scan QR code to view  
American Standard™ website



Scan QR code to view  
EasyFLO™ video



OFF



PUSH



ON

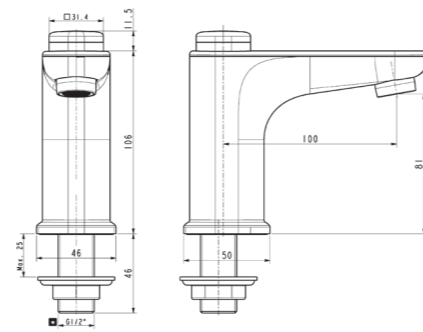


BASIN FAUCETS



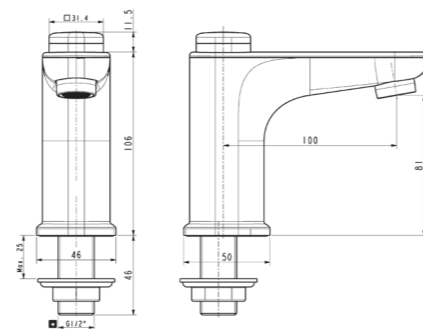
**EasyFLO**  
Basin Faucet (Chrome)

**FFAST823-109500BFO**



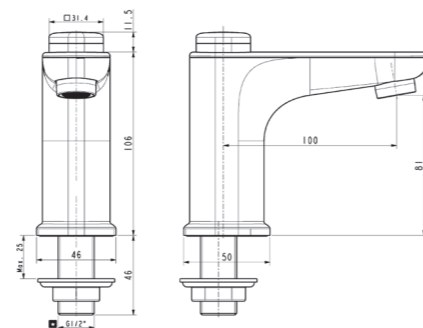
**EasyFLO**  
Basin Faucet (Matte Black)

**FFAST823-109440BFO**



**EasyFLO**  
Basin Faucet (Glossy White)

**FFAST823-109090BFO**



SHOWER MONO



**EasyFLO**  
Exposed Shower Mono

**FFAST825-709500BFO (Chrome)**



**EasyFLO**  
Exposed Shower Mono

**FFAST825-709440BFO (Matte Black)**



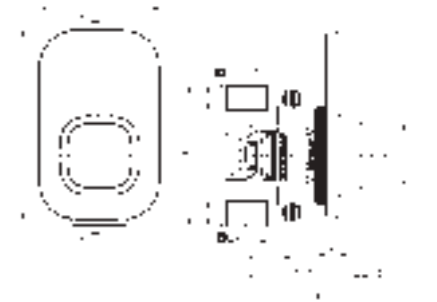
**EasyFLO**  
Exposed Shower Mono

**FFAST825-709090BFO (Glossy White)**



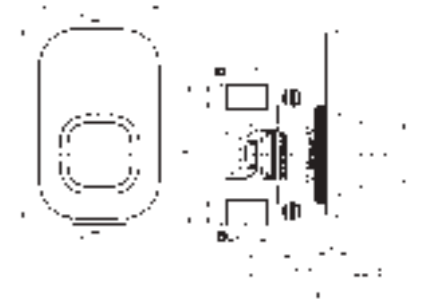
**EasyFLO**  
Concealed Shower Mono

**FFAST826-709500BFO (Chrome)**



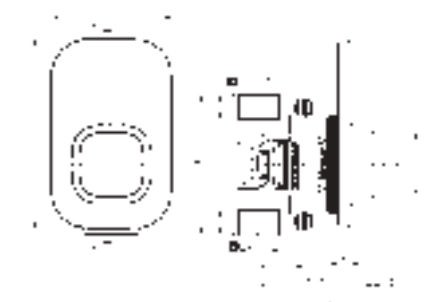
**EasyFLO**  
Concealed Shower Mono

**FFAST826-709440BFO (Matte Black)**

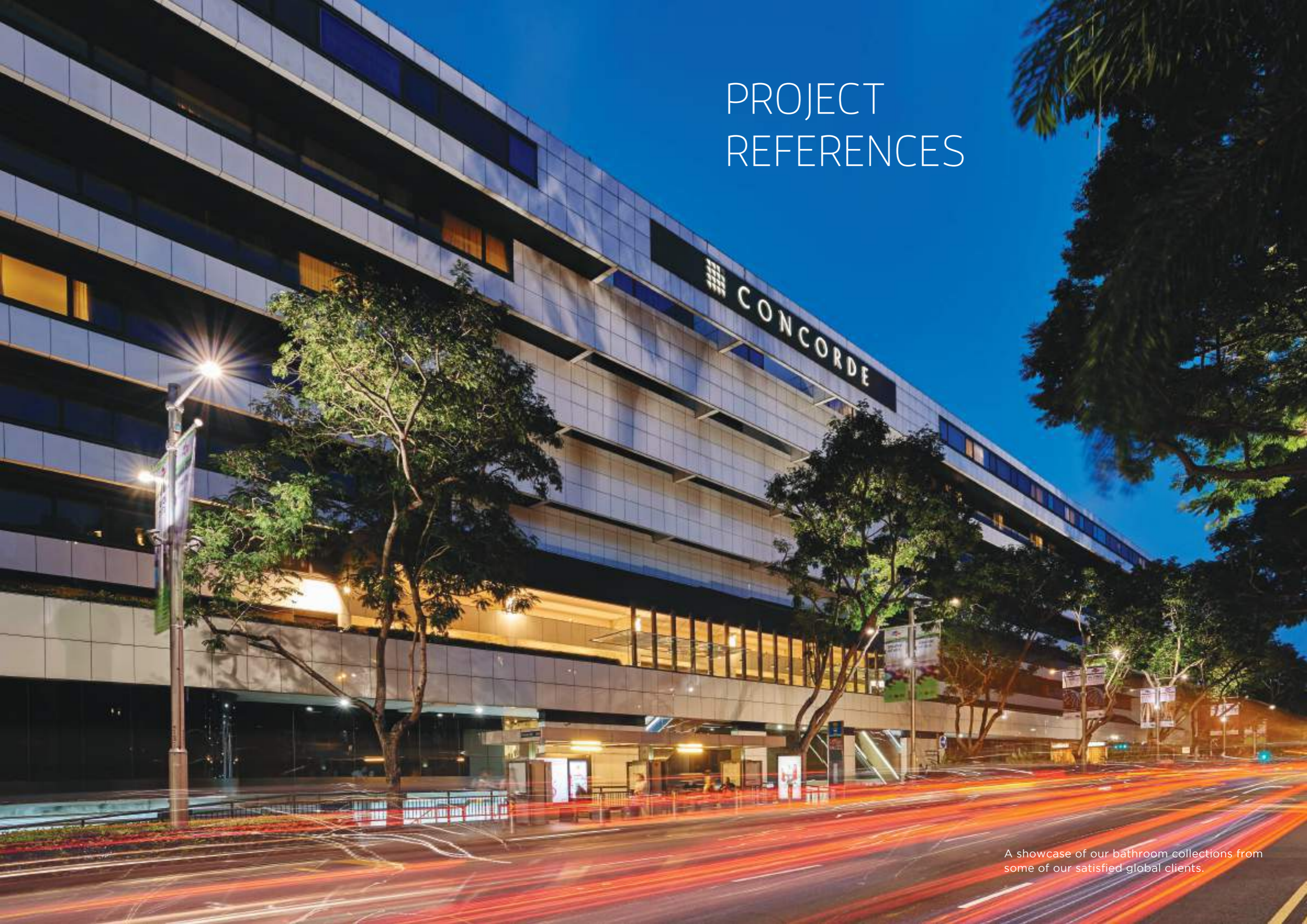


**EasyFLO**  
Concealed Shower Mono

**FFAST826-709090BFO (Glossy White)**



# PROJECT REFERENCES



A showcase of our bathroom collections from some of our satisfied global clients.



Four Points by Sheraton - Penghu, Taiwan



Taiping Lake Resort - Anhui, China



Media Center Phoenix Hotel Dalian - Liaoning, China



Crowne Plaza Tainan - Taiwan



Sunshine Intl. Hotel Xiangxi - Hunan, China



Xian Paradise Hotel of Han Dynasty - Shanxi, China



Concorde Hotel - Singapore



**The Central - Changsha, China**



**The Lumpini 24 - Bangkok, Thailand**



**Grande Centre Point Sukhumvit 55 - Bangkok, Thailand**



**Grande Centre Point Terminal 21 - Bangkok, Thailand**





Incheon International Airport - Incheon, South Korea



Okada Manila - Manila, Philippines



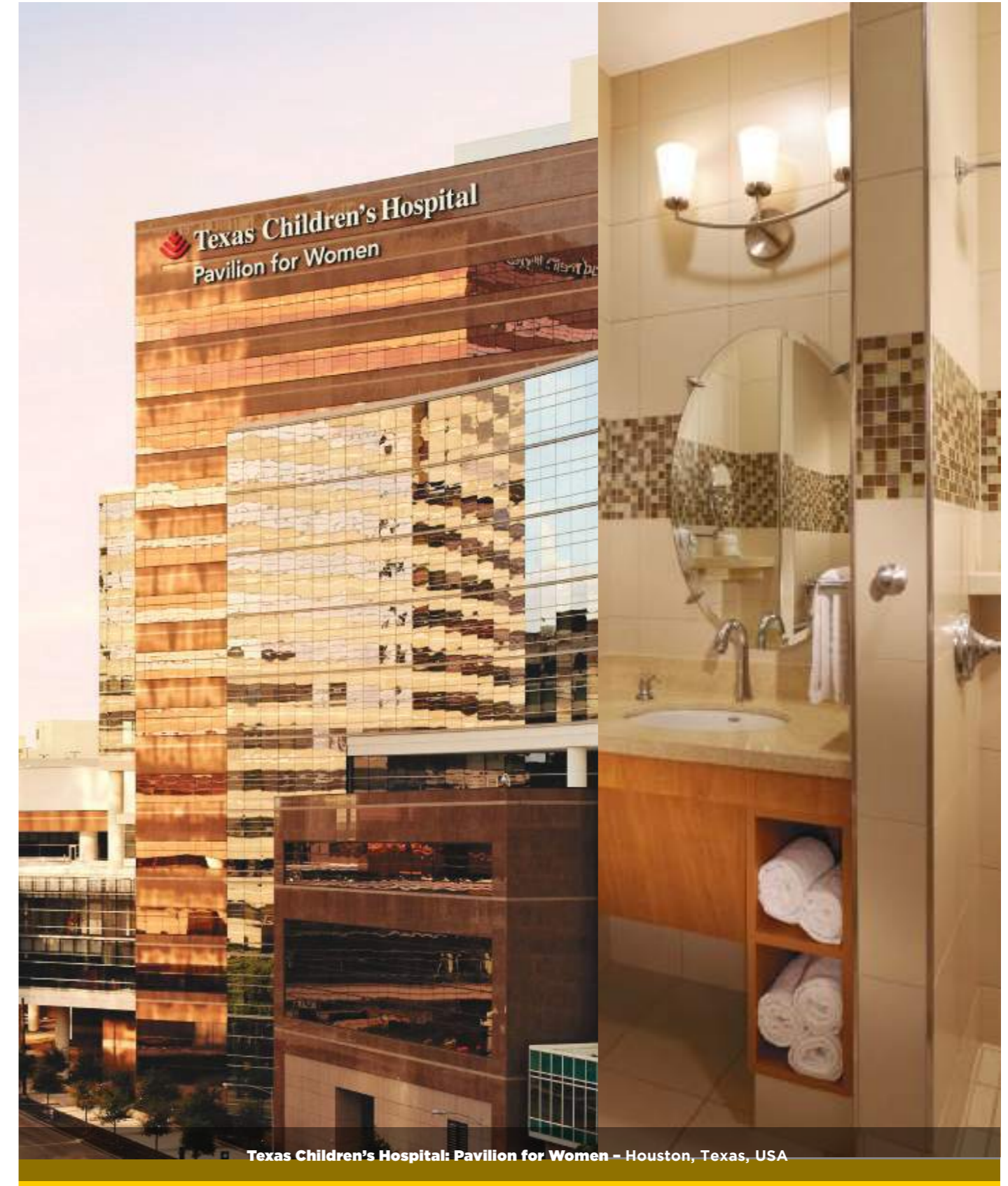
The Myst Dong Khoi Hotel - Ho Chi Minh City, Vietnam



Loews Miami - Miami, Florida, USA



Atlanta Gateway Marriott - Georgia, USA



Texas Children's Hospital: Pavilion for Women - Houston, Texas, USA

This page is intentionally left blank.

**American Standard** reserves the right to change dimensions and specifications without notice; we assume no liability for the use of obsolete dimensions.

While every reasonable care has been taken in providing this information, the owner or its agents cannot be held responsible for any inaccuracies. Whilst we believe the contents of this brochure to be correct and accurate at time of print, they are not to be regarded as statements or representations of fact.

*American Standard*

Raising The Standard



**WASSER WERKZ (PENANG) SDN BHD**  
**(1046019-T)**

88E, Jalan Masjid Negeri,  
11600 Jelutong, Penang, Malaysia.

Tel : +604 – 659 1788

Mobile : +6012 – 667 9736

Email : [wasserwerkz.penang@gmail.com](mailto:wasserwerkz.penang@gmail.com)